



鹏盛国际五金有限公司
SINODOM INTERNATIONAL HARDWARE LIMITED

广东纷兰智能家居有限公司
GUANGDONG FINE LINE INTELLIGENT HOUSEHOLD CO.,LTD

地址:广州市番禺区洛浦街南桂路3号恒达产业园B1栋501室
Add:Room 501,Building B1,No.3 Nangui Road,Luopu Street,Panyu District,Guangzhou china

Tel:+86-20-83600848 Fax:+86-20-83600846
Email:sales@sinodom.net / export@sinodom.net
Website: www.sinodom.com



公众号

LED LIGHTING SYSTEMS

We are more professional

LED灯光系统 我们更专业

COMPANY PROFILE

企业简介

鹏盛进出口有限公司(Sinodom Internation Hardawre Ltd)成立于2008年,是一家集研发、制造、销售各类家居五金产品的高新技术企业,厂房占地面积15000多平方米,在过去的20年产品远销欧美、中东、南美、澳洲、非洲等70多个国家和地区!

我们拥有自动化生产设备,专业的技术研发团队,高效完善的质量控制体系,我们有能力为客户提供完全的品质保障,为客户提供一站式的家具五金和定制产品的一站式采购服务!同时“喜乐德”五金面向全球寻找品牌代理商!为今后的长期稳健发展打下坚实的基础。

我们始终坚持“人品即产品”的品质原则,为客户创造价值,为用户提供智能产品,为人类追求美好生活而贡献力量!赢得了国内外知名企业的信赖和好评。

Sinodom Internation Hardawre Ltd was founded in 2008, is a research and development, manufacturing, sales of all kinds of household hardware products of high-tech enterprises, plant covers an area of more than 15,000 square meters, In the past 20 years products are exported to Europe,North America, the Middle East, South America,Australia, Africa and other more than 70 countries and regions!

We have automatic production equipment, professional technical research and development team, efficient and perfect quality control system, we have the ability to provide customers with complete quality assurance, to provide customers with one-stop furniture hardware and customized products one-stop procurement services! At the same time, "Sinodom" hardware is looking for brand agents around the world! Lay a solid foundation for long-term and steady development in the future.

We always adhere to the quality principle of "character is product", create value for customers, provide intelligent products for users, and contribute to the pursuit of a better life for mankind ! It has win the trust and praise of well-known enterprises at home and abroad.



DEVELOPMENT COURSE

发展历程

至今



我们仍在不断前进，
创造属于纷兰的新征程

We are still moving forward,
creating a new journey that
belongs to Fenglan.



2022



我公司品牌“SND”进入
欧美市场

Our company's brand "SND"
entered the European and
American markets



2021



成立纷兰公司,坚持以“人品就是产品,人的价值为第一”的发展主线,秉承“创建温馨家园,畅享美好生活”的经营理念

Founded Fen Lan company, adhere to the "character is the product, The main line of development of "human value first", Adhering to the "create a warm home, enjoy a better life" business philosophy.



2014



成立筠盛公司,
启动国际化战略,
全面进入全球家具五金市场布局

Set up Jun sheng company, start the internationalization strategy, fully enter the global furniture hardware market layout



2008



成立鹏盛公司,
专注于五金家具配件的国际贸易

Pengsheng Company was established, focusing on the international trade of hardware furniture accessories



R&D SYSTEM AND PRODUCTS DESIGN

工厂拥有成熟的研究和开发、测试、生产设备和作过程。确保我们的工程师能够专注产品的每一个细节,并为客户提供有竞争力的产品。

Sinodom has a mature research and development, testing, production equipment and operating processes. Ensuring that our engineers could focus on every detail of the products, and provide customers with competitive products.

PRODUCTION LINE

工厂有很多先进的设施和设备,例如多条自动化生产线/包括自动电子SMT机器,自动检测、老化线路、回流焊和波峰焊机器等。同时,我们拥有严格的加工管理和严格的质量控制法规,以确保我们的高质量标准。

Our factory has many advanced facilities and equipment such as multiple automated production lines, include automatic electronic SMT machines, automatic detection aging lines, reflow soldering and wave soldering machines etc. At the same time, we have strict processing management and rigid quality control regulation to guarantee our high quality standard.



PRODUCTION EQUIPMENT

生产设备

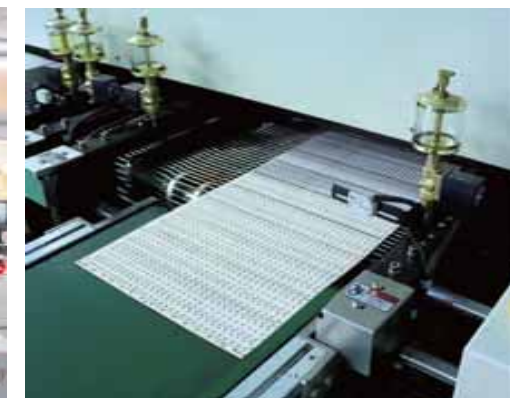
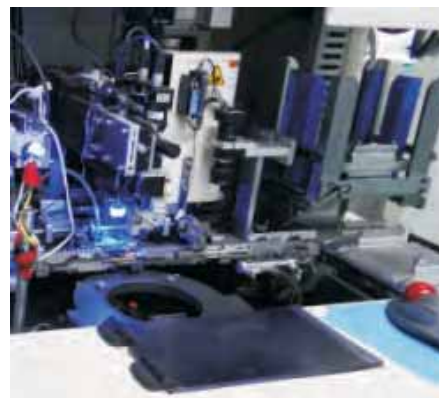
Sinodom 拥有极具技术的高端定制LED生产设备及国际工业制造先进技术,组成多条全球先进的定制生产线,为合作伙伴提供生产支持,确保产能供应,共谱大家居定制时代新格局。

Sinodom has technical high-end tailor made led production equipment and international industrial manufacturing technology, putting together as a number of advanced global production lines. It provide production support for partners, and ensure the capacity supply and a new pattern of large home customization.



高技术
高度自动化
生产线

High technology and high degree of automatic production



CERTIFICATION

认证证书



PRODUCT CATALOG

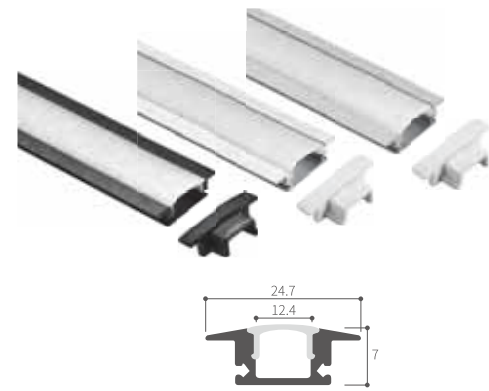
PAGE

目录

铝灯槽系列	Aluminium Profile Series	001-013
COB灯带系列	COB Flexible Strip Light Series	015-016
FS灯条系列	LED Strip Light Series	017-022
LED电源系列	LED Driver Series	023-026
感应开关系列	Sensor Switch Series	027-034
LED橱柜灯系列	LED Cabinet Light Series	035-040
配件系列	Accessories Series	041-042



WDLG0001 LED灯槽
WDLG0001 Led light trough



描述 Description

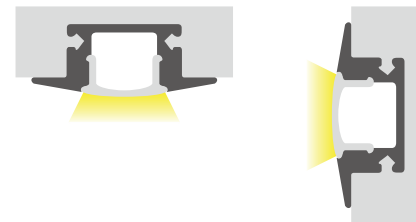
尺寸:Lx24.7x7mm
材质:6063-T5铝合金
表面:氧化铝本色/喷漆(黑色/白色)
PC罩:乳白/黑色/亚克力磨砂
可选适用:12mm软灯带/硬灯条

Size:Lx24.7x7mm
Material:6063-T5
Surface:Silver/Black/White anodized
PC cover:Miky white/black/acrylic matte
Apply:LED strips and PCB 12mm

产品特点 Features

- | | |
|---------------|---|
| 1.直发光 | 1.Straight lighting. |
| 2.面光源发光,无灯点 | 2.No visible light dots, uniform and soft lighting. |
| 3.表面采用阳极氧化处理 | 3.Anodized surface, fine and superior. |
| 4.颜色可选太空银、哑光黑 | 4.Colors are available in silver and black. |

安装示意图 Installation



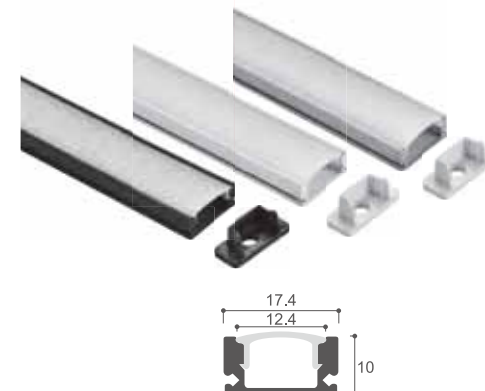
应用场景 Application



适用于家具照明、货架照明、橱窗展示照明
For shelves, display cabinet, kitchen cabinet, wine cabinet, etc.



WDLG0002 LED灯槽
WDLG0002 Led light trough



描述 Description

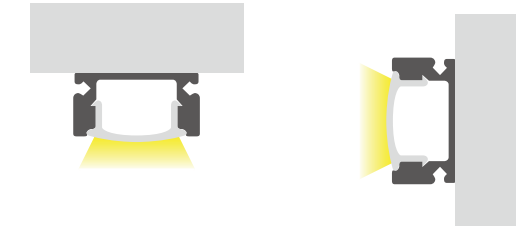
产品尺寸:Lx17.4x7mm
材质:6063-T5铝合金
表面:氧化铝本色/喷漆(黑色/白色)
PC罩:乳白/黑色/亚克力磨砂
可选适用:12mm软灯带/硬灯条

Size:Lx17.4x7mm
Material:6063-T5
Surface:Silver/Black/White anodized
PC cover:Miky white/black/acrylic matte
Apply:LED strips and PCB 12mm

产品特点 Features

- | | |
|---------------|---|
| 1.直发光 | 1.Straight lighting. |
| 2.卡扣式安装 | 2.PC cover is snap fit. |
| 3.表面采用阳极氧化处理 | 3.Anodized surface, fine and superior. |
| 4.颜色可选太空银、哑光黑 | 4.Colors are available in silver and black. |

安装示意图 Installation



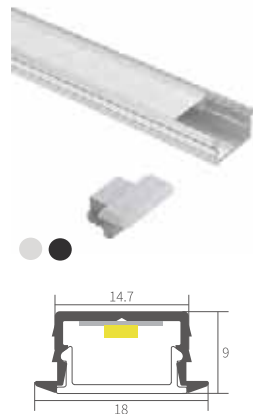
应用场景 Application



适用于展示柜、橱柜、酒柜等
For display cabinet, kitchen cabinet, wine cabinet, etc.



WDLG0009 嵌装线性灯
WDLG0009 Embedded linear light



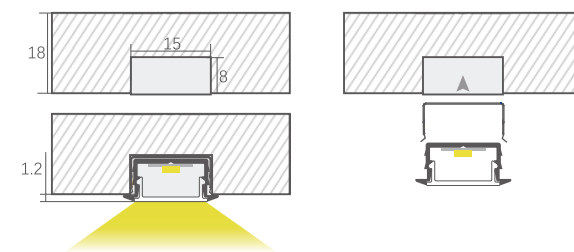
描述 Description

产品尺寸:18*9mm	Dimension:18*9mm
长度:0.5-2.5m	Length:0.5-2.5m
材料:AL6063	Material: AL6063
表面:氧化	Surface: Anodized aluminium
罩子:乳白、磨砂	Cover: Milky or frosted
堵头:EC28	End cap:EC28
灯条宽度:<12mm	PCB width:<12mm
安装方式:嵌入安装	Installation: Recessed mounted

产品特点 Features

- | | |
|---------------|---|
| 1.直发光 | 1.Straight lighting. |
| 2.面光源发光,无灯点 | 2.No visible light dots, uniform and soft lighting. |
| 3.表面采用阳极氧化处理 | 3.Anodized surface, fine and superior. |
| 4.颜色可选太空银、哑光黑 | 4.Colors are available in silver and black. |

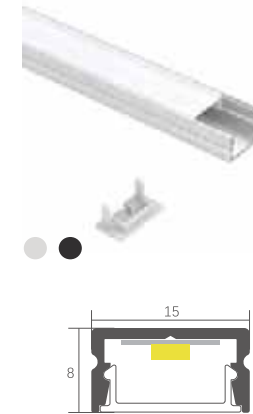
安装示意图 Installation



应用场景 Application



WDLG0010 明装线性灯
WDLG0010 Open mounted linear light



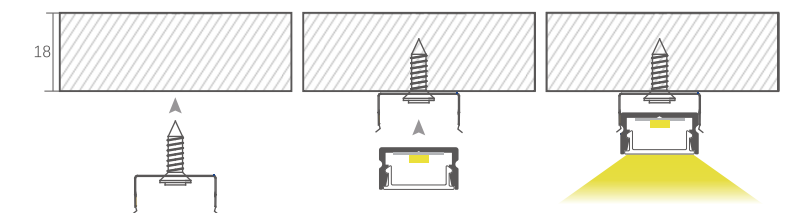
描述 Description

产品尺寸:15*8mm	Dimension:15*8mm
长度:0.5-2.5m	Length:0.5-2.5m
材料:AL6063	Material: AL6063
表面:氧化	Surface: Anodized aluminium
罩子:乳白、磨砂	Cover: Milky or frosted
堵头:EC30	End cap:EC30
灯条宽度:<12mm	PCB width:<12mm
安装夹:SM39	Clip:SM39
安装方式:夹子固定安装	Installation: Fixed by clips

产品特点 Features

- | | |
|---------------|---|
| 1.直发光 | 1.Straight lighting. |
| 2.卡扣式安装 | 2.PC cover is snap fit. |
| 3.表面采用阳极氧化处理 | 3.Anodized surface, fine and superior. |
| 4.颜色可选太空银、哑光黑 | 4.Colors are available in silver and black. |

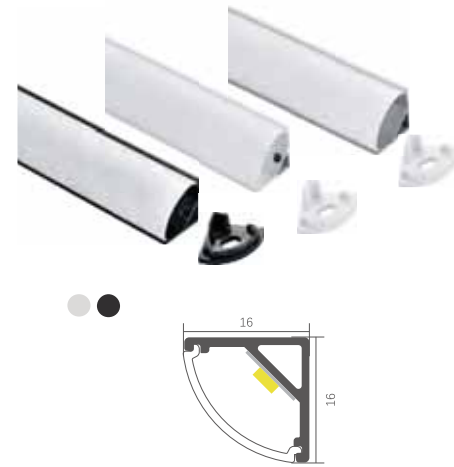
安装示意图 Installation



应用场景 Application



WDLG0011 明装直角线性灯
WDLG0011 Straight Angle linear light



描述 Description

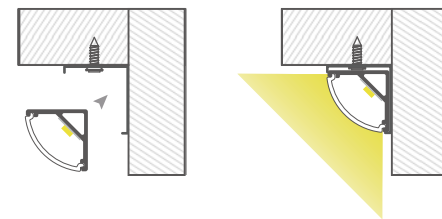
产品尺寸:16*16mm
长度:0.5-2.5m
材料:AL6063
颜色:银、黑
灯条宽度:≤10mm
安装夹:SM31
安装方式:夹子固定安装

Dimension:16*16mm
Length:0.5-2.5mm
Material: AL6063
Color: Silver or black
PCB width:≤10mm
Clip:SM31
Installation: Fixed by clips

产品特点 Features

- | | |
|----------------------------|---|
| 1.长度可定制 | 1.Length can be customized. |
| 2.PC灯罩,良好的透光漫射性能,使光线更加柔和典雅 | 2.Hidden snap installation, no slot opening. |
| 3.精确尺寸,使用范围更广 | 3.Suitable for the corner of cabinet. |
| 4.表面安装,免开槽 | 4.High quality PC cover make light more homogenous. |

安装示意图 Installation



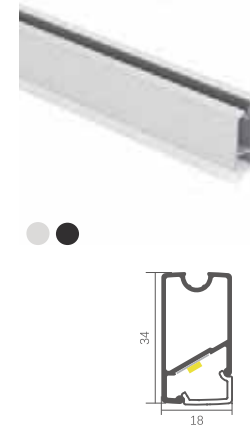
应用场景 Application



适用于家具照明、货架照明、橱窗展示照明
For shelves, display cabinet, kitchen cabinet, wine cabinet, etc.



WDLG0012 内发光衣杆灯
WDLG0012 Internal luminous pole light



描述 Description

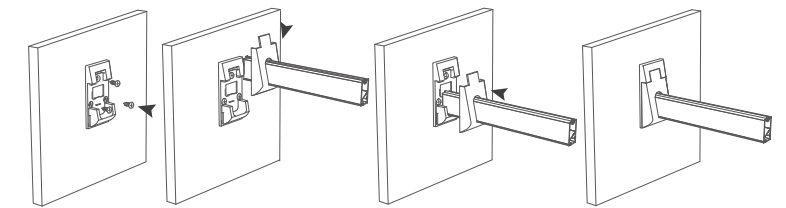
产品尺寸:18*34mm
长度:0.5-2.5m
材料:AL6063
表面:氧化
罩子:乳白、磨砂
灯条宽度:≤8mm
安装夹:SM66
安装方式:表面安装

Dimension:18*34mm
Length:0.5-2.5mm
Material: AL6063
Surface: Anodized aluminium
Cover: Milky or frosted
PCB width:≤8mm
Clip:SM66
Installation: Surface mounted

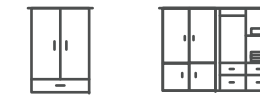
产品特点 Features

- | | |
|------------------------------|---|
| 1.长度可定制 | 1.Length can be customized. |
| 2.衣柜专用设计,可承重10kg | 2.Special design for wardrobe, can load over 10kg. |
| 3.独特的斜角发光设计,有防眩效果 | 3.Special design with anti-dazzling function. |
| 4.PMMA灯罩,良好的透光漫射性能,使光线更加柔和典雅 | 4.High quality PMMA cover make light more homogenous. |

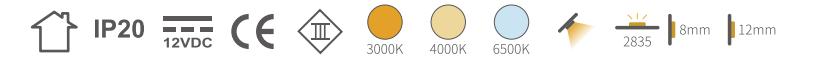
安装示意图 Installation



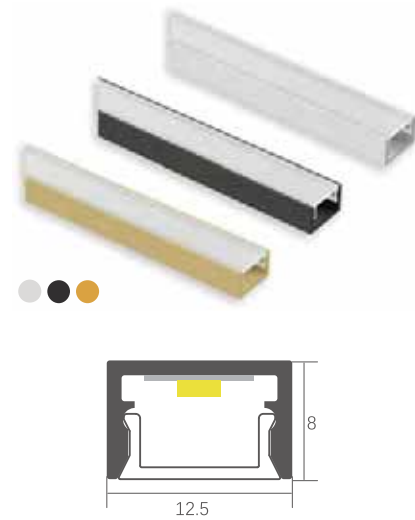
应用场景 Application



适用于衣柜、服装店照明
Wardrobe, clothes shop.



WDLG0013 超薄嵌装线性灯
WDLG0013 Ultra-thin inline linear light



描述 Description

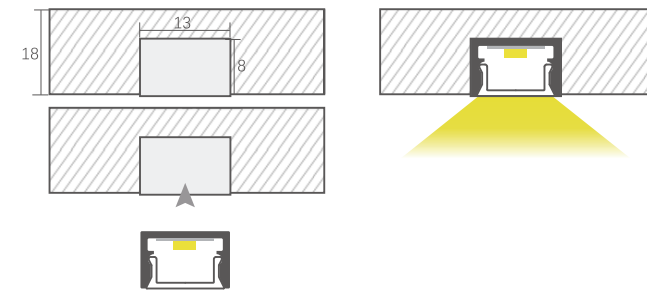
产品尺寸:12.5*7.8mm
长度:0.5-2.5m
材料:AL6063
罩子:乳白、磨砂
灯条宽度:≤8mm
安装方式:嵌入安装

Dimension:12.5*7.8mm
Length:0.5-2.5m
Material: AL6063
Cover: Milky or frosted
PCB width:≤8mm
Installation: Recessed mounted

产品特点 Features

- 1.8mm超薄厚度, 无包边
 - 2.阳极氧化表面处理
 - 3.简约设计, 光滑表面
 - 4.颜色可选太空银/哑光黑/香槟金
- 1.Ultra-thin design, only 8mm thick without edge.
 - 2.Anodized surface, fine and superior.
 - 3.Simple design, smooth surface.
 - 4.Colors are available in silver, black and champagne gold.

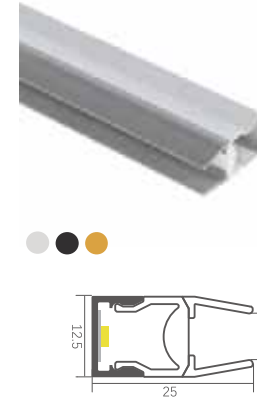
安装示意图 Installation



应用场景 Application



WDLG0014 夹玻璃层板灯
WDLG0014 Laminated glass lamp



描述 Description

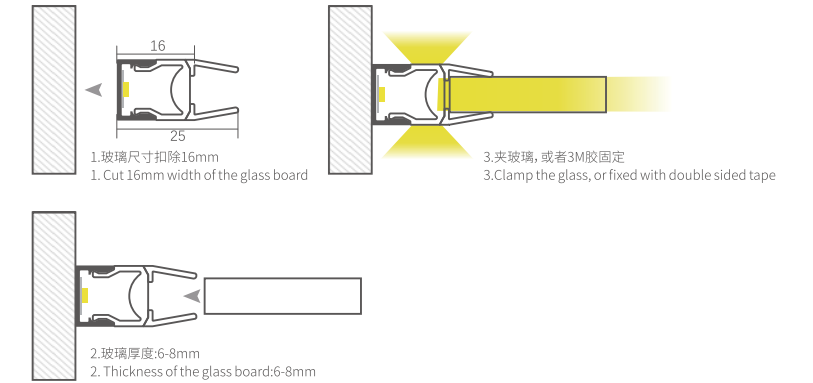
产品尺寸:25*12.5mm
长度:0.5-2.5m
材料:AL6063
表面:氧化
罩子:乳白、磨砂
灯条宽度:≤8mm
安装方式:夹玻璃

Dimension:25*12.5mm
Length:0.5-2.5m
Material: AL6063
Surface: Anodized aluminium
Cover: Milky or frosted
PCB width:≤8mm
Installation: Clamp the glass

产品特点 Features

- 1.无可视光点, 发光均匀
 - 2.夹6-8mm厚玻璃, 或者亚克力板
 - 3.可选单面或三面发光灯罩
 - 4.阳极氧化表面处理
- 1.No visible light dots, uniform and soft.
 - 2.Suitable for 6-8mm thick plate glass or acrylic plate.
 - 3.PC cover for one or three directions glowing is available.
 - 4.Anodized surface, fine and superior.

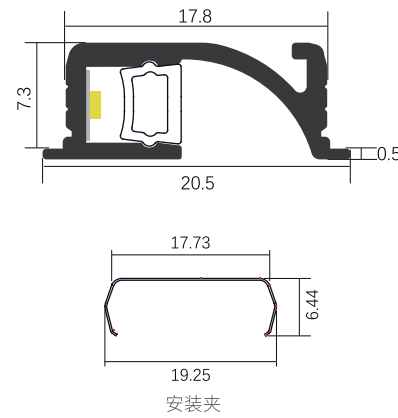
安装示意图 Installation



应用场景 Application



WDLG0015 嵌入式内发光氛围灯
WDLG0015 Built-in luminescent atmosphere light



描述 Description

产品尺寸:20.5*7.8mm
长度:0.5-2.5m
材料:AL6063
罩子:方形乳白
灯条宽度:≤4mm
安装夹:SM50
安装方式:嵌入安装

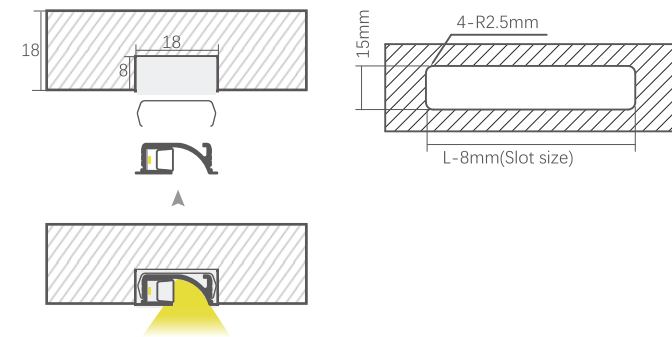
Dimension:20.5*7.8mm
Length:0.5-2.5m
Material:AL6063
Cover:Milky
PCB width:≤4mm
Clip:SM50
Installation:Recessed mountec

产品特点 Features

- 1.灯体超薄设计可适用于各类层板
- 2.发光面完全不可见,反射弧面发光柔和,不刺眼
- 3.卡件安装,便于维护
- 4.超薄遮边设计完美遮盖柜体开槽边,安装需要区分左右

- 1.Ultra-thin design for used in any boards.
- 2.Luminous surface is completely invisible, creating uniform and soft lighting.
- 3.With installed clips, easy to disassemble and maintain.
- 4.Ultra-thin edge design for perfectly covering slots edge.

安装示意图 Installation



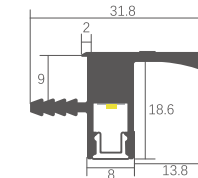
应用场景 Application



氛围照明,适用于展示柜、橱柜、衣柜、酒柜等
Ambient illumination. For display cabinet, kitchen cabinet, wardrobe, wine cabinet, etc.



WDLG0016 免拉手橱柜灯
WDLG0016 Hands-free cabinet light



描述 Description

产品尺寸:31.8*18.6mm
长度:0.5-2.5m
材料:AL6063
表面:氧化
罩子:乳白、磨砂
灯条宽度:≤5mm
安装方式:嵌入安装

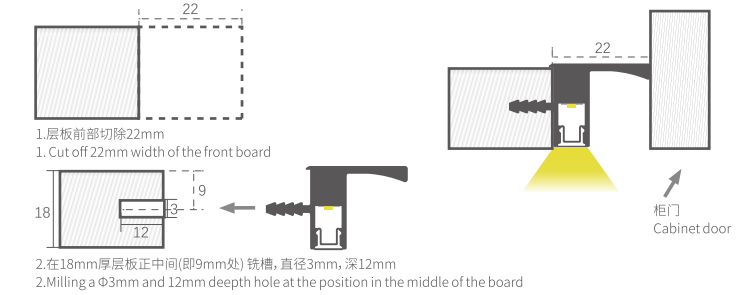
Dimension:31.8*18.6mm
Length:0.5-2.5m
Material:AL6063
Surface:Anodized aluminium
Cover:Milky or frosted
PCB width:≤5mm
Installation:Recessed mounted

产品特点 Features

- 1.长度可定制
- 2.PC灯罩,良好的透光漫射性能,使光线更柔和
- 3.可内置手扫开关,感应距离2-4cm,可调光
- 4.层板开槽嵌入安装

- 1.Length can be customized.
- 2.High quality PC cover make light more homogenous.
- 3.Can be built-in hand wave sensor switch with dimmer function.
- 4.Recessed mounted with slots.

安装示意图 Installation



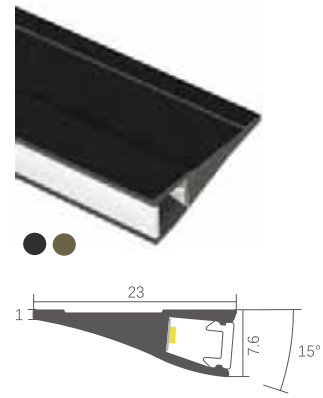
应用场景 Application



适用于吊柜底板等带门柜体
For bottom board of wall cabinet and other cabinet with doors.



WDLG0017 明装内发光线性灯
WDLG0017 Plain mounted internal light emitting linear lamp



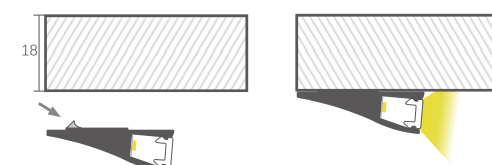
描述 Description

产品尺寸:23*7.6mm	Dimension:23*7.6mm
长度:0.5-2.5m	Length:0.5-2.5m
材料:AL6063	Material: AL6063
表面:氧化	Surface: Anodized aluminium
罩子:乳白、磨砂	Cover: Milky or frosted
灯条宽度:≤4mm	PCB width:≤4mm
安装方式:3M胶固定	Installation: With VHB 3M tape

产品特点 Features

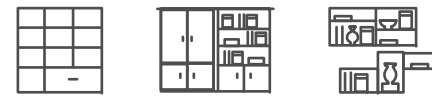
- | | |
|-------------------------------|--|
| 1. 隐藏式光源, 无灯点, 发光均匀柔和, 氛围效果更佳 | 1. Hidden lighting design, no visible light dots, uniform and soft. |
| 2. 表面安装, 免开灯槽 | 2. Surface mounted with double sided tape, no slot opening. |
| 3. 明装粘胶或螺丝安装, 方便快捷 | 3. Surface mounted with VHB tape, or fixed with screws, easy to install. |
| 4. 流线型设计定向照射, 柜体通亮 | 4. Streamlined design for fixed direction shining, light up the whole cabinet. |

安装示意图 Installation



使用双面胶安装于前置层板底部
Install in the front of the board with 3M VHB tape

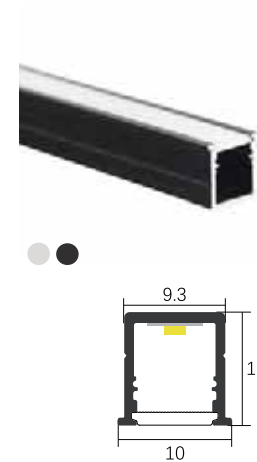
应用场景 Application



适用于展示柜、衣柜、酒柜、书柜等
For display cabinet, kitchen cabinet, wine cabinet, etc.



WDLG0018 嵌装线性灯
WDLG0018 Flush-mounted linear light



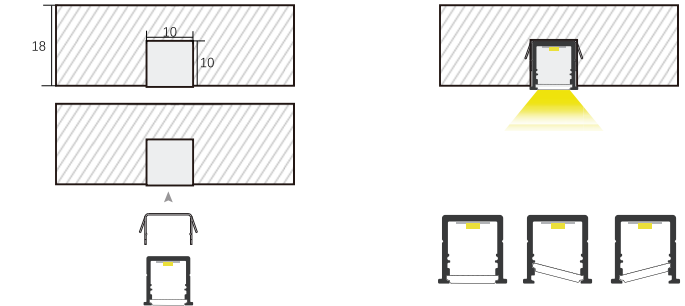
描述 Description

产品尺寸:10*10mm	Dimension:10*10mm
长度:0.5-2.5m	Length:0.5-2.5m
材料:AL6063	Material: AL6063
表面:氧化	Surface: Anodized aluminium
罩子:乳白、磨砂	Cover: Milky or frosted
灯条宽度:≤6mm	PCB width:≤6mm
安装方式:嵌入安装	Installation: Recessed mounted

产品特点 Features

- | | |
|----------------------------|--|
| 1. 长度可定制 | 1. Length can be customized. |
| 2. PC灯罩, 良好的透光漫射性能, 使光线更柔和 | 2. High quality PC cover make light more homogenous. |
| 3. 层板开槽嵌入安装 | 3. Recessed mounted with slots. |
| 4. 精准尺寸, 使用范围更广 | 4. Exquisite makes wider range of use than the others. |

安装示意图 Installation



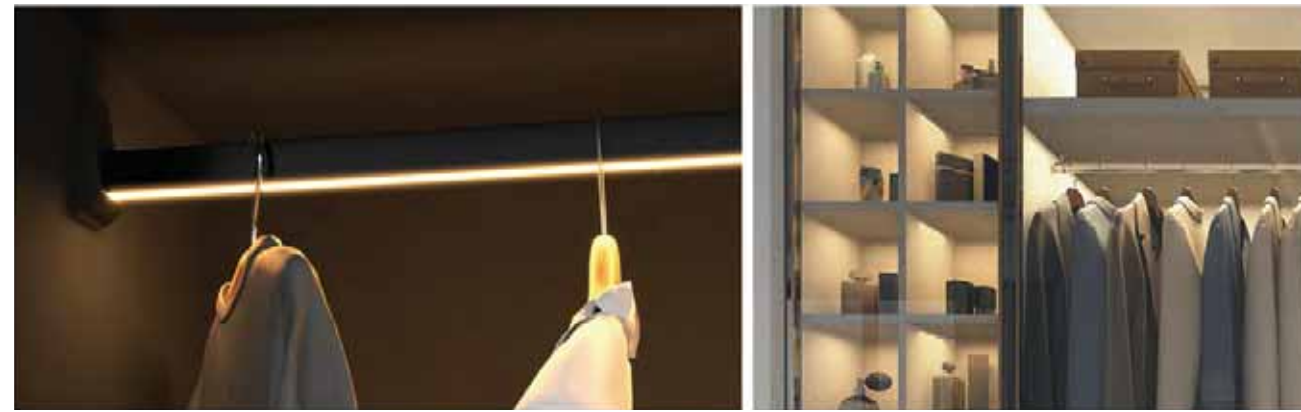
应用场景 Application



家具照明、橱柜照明、展示柜照明等
Furniture lighting, store shelf lighting, window display lighting.



WDLG0024 LED灯槽
WDLG0024 LED aluminium profile light



描述 Description

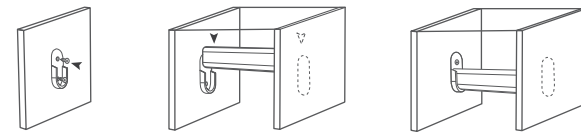
尺寸: Lx15x30mm
长度: 0.5-2.5m
材质: AL6063
表面: 氧化
罩子: 乳白、磨砂
灯条宽度: ≤12mm
安装夹: SM08
安装: 表面安装

Dimension: 15*30mm
Length: 0.5-2.5m
Material: AL6063
Surface: Anodized aluminium
Cover: Milky or frosted
PCB width: ≤12mm
Clip: SM08
Installation: Surface mounted

产品特点 Features

- | | |
|------------------------|---|
| 1. 长度可定制 | 1.Length can be customized. |
| 2. 衣柜特殊设计, 可承重10公斤以上 | 2.Special design for wardrobe, can load over 10kg. |
| 3. 具有防眩功能的特殊设计 | 3.Special design with anti-dizzying function. |
| 4. 高品质的PMMA覆盖层使光线更加均匀。 | 4.High quality PMMA cover make light more homogenous. |

安装示意图 Installation



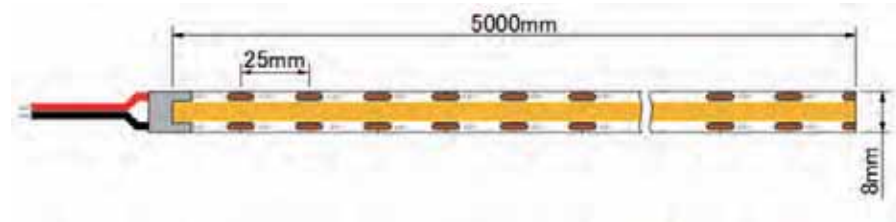
应用场景 Application



适用于衣柜、服装店灯
For Wardrobe, clothes shop, etc.



WDLG1002 COB柔性软灯带
WDLG1002 COB Flexible Strip



产品参数 Electrical data

色温: 2700K/3000K/4000K/5000K/6500K
SMD类型: COB
单颗最大电流: 20mA
输入电压: 12V
功率: 5W/m、10W/m
光通量: 436/492/522/574/588Lm/m、745/813/915/928/936Lm/m

CCT: 2700K/3000K/4000K/5000K/6500K
SMD Type: COB
Max current/LED: 20mA
Input Voltage: DC12V
Power: 5W/m、10W/m、15W/m
Lumen: 436/492/522/574/588Lm/m、745/813/915/928/936Lm/m

光效: 80-110lm/w
显色指数: 90+
每米灯数: 320灯
色容差: ≤3
FPC板宽: 8mm
裁切单位: 25mm
使用寿命: >50000H
防水等级: IP20
质保期: 3年

Lumen efficiency: 80-110lm/w
Ra: 90+
Chips/m: 320chips
SDCM: ≤3
Width: 8mm
Unit cut: 25mm
Life span: >50000H
Waterproof rate: IP20
Warranty: 3 years



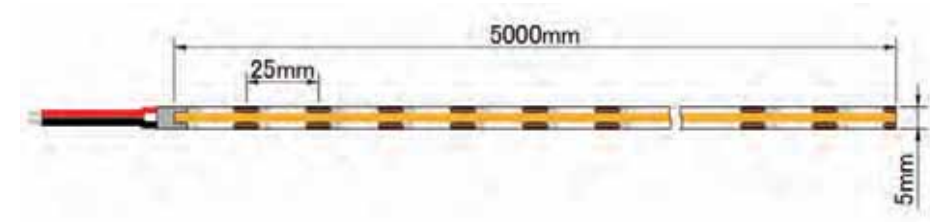
产品特点 Features



使用场景 Application



WDLG1006 COB柔性软灯带
WDLG1006 COB Flexible Strip



产品参数 Electrical data

色温: 2700K/3000K/4000K/5000K/6500K
SMD类型: COB
单颗最大电流: 20mA
输入电压: 12V
功率: 5W/m、10W/m
光通量: 459/470/549/677/681Lm/m、569/611/729/773/791Lm/m

CCT: 2700K/3000K/4000K/5000K/6500K
SMD Type: COB
Max current/LED: 20mA
Input Voltage: DC12V
Power: 5W/m、10W/m、15W/m
Lumen: 459/470/549/677/681Lm/m、569/611/729/773/791Lm/m

光效: 80-110lm/w
显色指数: 90+
每米灯数: 320灯
色容差: ≤3
FPC板宽: 5mm
裁切单位: 25mm
使用寿命: >50000H
防水等级: IP20
质保期: 3年

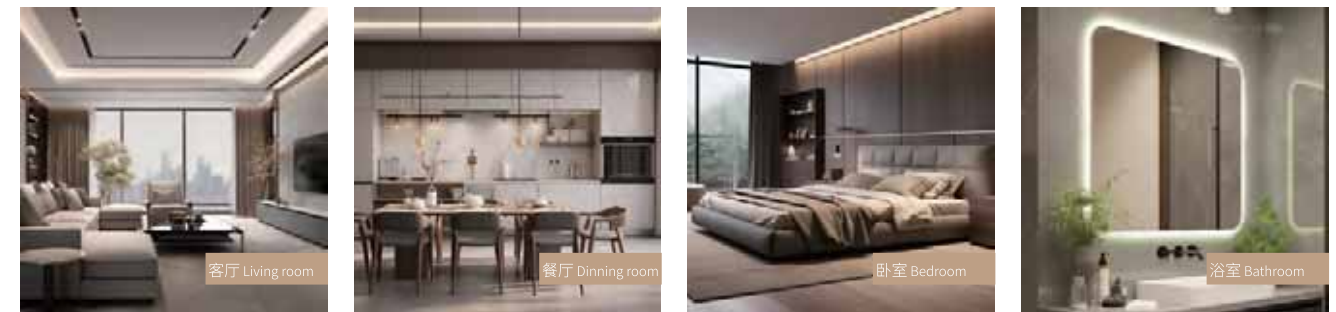
Lumen efficiency: 80-110lm/w
Ra: 90+
Chips/m: 320chips
SDCM: ≤3
Width: 5mm
Unit cut: 25mm
Life span: >50000H
Waterproof rate: IP20
Warranty: 3 years



产品特点 Features



使用场景 Application



WDLG2001 8mm LED单色温灯带
WDLG2001 8mm Flexible LED Strip



描述 Description

色温:3000K/4000K/6500K	CCT:3000K/4000K/6500K
长度:500-5000mm	Length:500-5000mm
宽度:8mm	Width:8mm
LED芯片:120pcs/m 2835	Chips qty:120pcs/m 2835
功率:5W/m、10W/m、15W/m	Power:5W/m、10W/m、15W/m
输入电压:DC12V	Input Voltage:DC12V
光通量:500Lm/m、1100Lm/m、1600Lm/m	Lumen:500Lm/m、1100Lm/m、1600Lm/m



light-on



2835 120pcs/m

产品特点 Features

高显指 High CRI	亮度可调 Dimmable	IP等级可选:20/44/67 IP rating available:20/44/67	输出功率可调 Output power adjustable
室内使用 Domestic use	CE认证 CE Certification	安装方便 Convenience assemble	可裁剪 Cutting available

产品推荐 Related products

无线调光接收器 >搭配无线触摸调光开关,可调节灯带亮度 >产品型号:WDLG5001 Wireless receiver >Connect with wireless singer to adjust brightness >Item No.WDLG5001	无线触摸调光开关 >开关/可调亮度 >产品型号:WDLG4005 Wireless touch sensor switch >Long press can adjust brightness >Item No.WDLG4005
无线4通道触摸调光面板 >可控制四组灯带、调节灯带亮度 >产品型号:WDLG4008 Wireless dimmer touch pad(4 channels) >Can control 4 group light,long press can adjust brightness >Item No.WDLG4008	嵌装触摸调节开关 >嵌入安装,触摸可调光 >产品型号:WDLG4004 Touch dimmer sensor switch >Recessed design,long press can adjust brightness >Item No.WDLG4004

使用场景 Application



WDLG2002 10mm LED单色温灯带
WDLG2002 10mm Flexible LED Strip

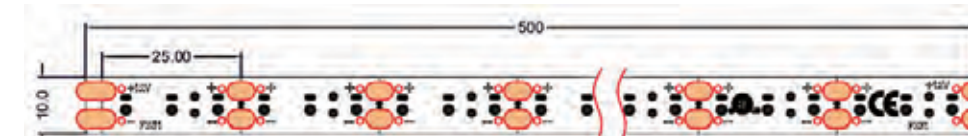


描述 Description

色温:3000K/4000K/6500K	CCT:3000K/4000K/6500K
长度:500-5000mm	Length:500-5000mm
宽度:10mm	Width:10mm
LED芯片:120pcs/m 2835	Chips qty:120pcs/m 2835
功率:5W/m、10W/m、15W/m	Power:5W/m、10W/m、15W/m
输入电压:DC5V	Input Voltage:DC5V
光通量:470Lm/m、1000Lm/m、1400Lm/m	Lumen:470Lm/m、1000Lm/m、1400Lm/m



light-on



2835 120pcs/m

产品特点 Features

高显指 High CRI	亮度可调 Dimmable	IP等级可选:20/44/67 IP rating available:20/44/67	输出功率可调 Output power adjustable
室内使用 Domestic use	CE认证 CE Certification	安装方便 Convenience assemble	可裁剪 Cutting available

产品推荐 Related products

无线调光接收器 >搭配无线触摸调光开关,可调节灯带亮度 >产品型号:WDLG5001 Wireless receiver >Connect with wireless singer to adjust brightness >Item No.WDLG5001	无线触摸调光开关 >开关/可调亮度 >产品型号:WDLG4005 Wireless touch sensor switch >Long press can adjust brightness >Item No.WDLG4005
无线4通道触摸调光面板 >可控制四组灯带、调节灯带亮度 >产品型号:WDLG4008 Wireless dimmer touch pad(4 channels) >Can control 4 group light,long press can adjust brightness >Item No.WDLG4008	嵌装触摸调节开关 >嵌入安装,触摸可调光 >产品型号:WDLG4004 Touch dimmer sensor switch >Recessed design,long press can adjust brightness >Item No.WDLG4004

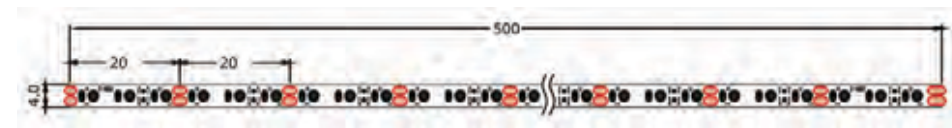
使用场景 Application



WDLG2004 4mm LED单色温灯带
WDLG2004 4mm Flexible Led Strip Light



light-on



2835 150pcs/m

描述 Description

色温:3000K/4000K/6500K
长度:5M/ 卷
宽度:4mm
LED芯片:150pcs/m 2835
功率:5W/m、10W/m
输入电压:DC12V/DC24V
光通量:850Lm/m

CCT:3000K/4000K/6500K
Length:5M/ roll
Width:4mm
Chips qty:150pcs/m 2835
Power:5W/m、10W/m
Input Voltage:DC12V/DC24V
Lumen:850Lm/m

产品特点 Features

高显指 High CRI	亮度可调 Dimmable	IP等级可选:20/44/67 IP rating available:20/44/67	输出功率可调 Output power adjustable
室内使用 Domestic use	CE认证 CE Certification	安装方便 Convenience assemble	可裁剪 Cutting available

产品推荐 Related products

无线调光接收器 >搭配无线触摸调光开关,可调节灯带亮度 >产品型号:WDLG5001 Wireless receiver >Connect with wireless singer to adjust brightness >Item No.WDLG5001	无线触摸调光开关 >开关/可调亮度 >产品型号:WDLG4005 Wireless touch sensor switch >Long press can adjust brightness >Item No.WDLG4005
无线4通道触摸调光面板 >可控制四组灯带、调节灯带亮度 >产品型号:WDLG4008 Wireless dimmer touch pad(4 channels) >Can control 4 group light,long press can adjust brightness >Item No.WDLG4008	嵌装触摸调节开关 >嵌入安装,触摸可调光 >产品型号:WDLG4004 Touch dimmer sensor switch >Recessed design,long press can adjust brightness >Item No.WDLG4004

使用场景 Application



WDLG2006 4mm LED单色温灯带
WDLG2006 4mm Flexible Led Strip Light



light-on



2835 120pcs/m

描述 Description

色温:3000K/4000K/6500K
长度:5M/ 卷
宽度:4mm
LED芯片:120pcs/m 2835
功率:5W/m、10W/m
输入电压:DC12V
光通量:560Lm/m

CCT:3000K/4000K/6500K
Length:5M/ roll
Width:4mm
Chips qty:120pcs/m 2835
Power:5W/m、10W/m
Input Voltage:DC12V
Lumen:560Lm/m

产品特点 Features

高显指 High CRI	亮度可调 Dimmable	IP等级可选:20/44/67 IP rating available:20/44/67	输出功率可调 Output power adjustable
室内使用 Domestic use	CE认证 CE Certification	安装方便 Convenience assemble	可裁剪 Cutting available

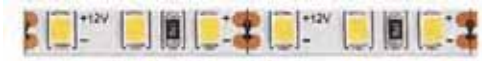
产品推荐 Related products

无线调光接收器 >搭配无线触摸调光开关,可调节灯带亮度 >产品型号:WDLG5001 Wireless receiver >Connect with wireless singer to adjust brightness >Item No.WDLG5001	无线触摸调光开关 >开关/可调亮度 >产品型号:WDLG4005 Wireless touch sensor switch >Long press can adjust brightness >Item No.WDLG4005
无线4通道触摸调光面板 >可控制四组灯带、调节灯带亮度 >产品型号:WDLG4008 Wireless dimmer touch pad(4 channels) >Can control 4 group light,long press can adjust brightness >Item No.WDLG4008	嵌装触摸调节开关 >嵌入安装,触摸可调光 >产品型号:WDLG4004 Touch dimmer sensor switch >Recessed design,long press can adjust brightness >Item No.WDLG4004

使用场景 Application



WDLG2007 5mm LED单色温灯带
WDLG2007 5mm Flexible Led Strip Light



light-on



2835 120pcs/m

描述 Description

色温:2700K/3000K/4000K/6500K
长度:5M/ 卷
宽度:5mm
LED芯片:120pcs/m 2835
功率:9.6W/m
输入电压:DC12V
光通量:750Lm/m

CCT:2700K/3000K/4000K/6500K
Length:5M/ roll
Width:5mm
Chips qty:120pcs/m 2835
Power:9.6W/m
Input Voltage:DC12V
Lumen:750Lm/m

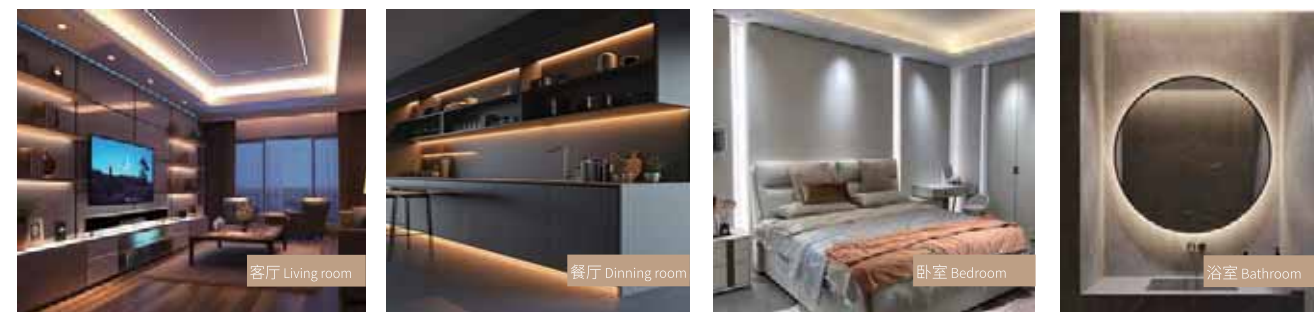
产品特点 Features

HIGH CRI 高显指 High CRI	亮度可调 Dimmable	IP等级可选:20/44/67 IP rating available:20/44/67	输出功率可调 Output power adjustable
室内使用 Domestic use	CE认证 CE Certification	安装方便 Convenience assemble	可裁剪 Cutting available

产品推荐 Related products

无线调光接收器 >搭配无线触摸调光开关,可调节灯带亮度 >产品型号:WDLG5001 Wireless receiver >Connect with wireless singer to adjust brightness >Item No.WDLG5001	无线触摸调光开关 >开关/可调亮度 >产品型号:WDLG4005 Wireless touch sensor switch >Long press can adjust brightness >Item No.WDLG4005
无线4通道触摸调光面板 >可控制四组灯带、调节灯带亮度 >产品型号:WDLG4008 Wireless dimmer touch pad(4 channels) >Can control 4 group light,long press can adjust brightness >Item No.WDLG4008	嵌装触摸调节开关 >嵌入安装,触摸可调光 >产品型号:WDLG4004 Touch dimmer sensor switch >Recessed design,long press can adjust brightness >Item No.WDLG4004

使用场景 Application



WDLG2011 10mm LED单色温灯带
WDLG2011 10mm Flexible Led Strip Light



light-on



2835 60pcs/m

描述 Description

色温:3000K/4000K/6500K
长度:5M/ 卷
宽度:10mm
LED芯片:60pcs/m 2835
功率:5W/m、10W/m
输入电压:DC12V
光通量:1100Lm/m

CCT:3000K/4000K/6500K
Length:5M/ roll
Width:10mm
Chips qty:60pcs/m 2835
Power:5W/m、10W/m
Input Voltage:DC12V
Lumen:1100Lm/m

产品特点 Features

HIGH CRI 高显指 High CRI	亮度可调 Dimmable	IP等级可选:20/44/67 IP rating available:20/44/67	输出功率可调 Output power adjustable
室内使用 Domestic use	CE认证 CE Certification	安装方便 Convenience assemble	可裁剪 Cutting available

产品推荐 Related products

无线调光接收器 >搭配无线触摸调光开关,可调节灯带亮度 >产品型号:WDLG5001 Wireless receiver >Connect with wireless singer to adjust brightness >Item No.WDLG5001	无线触摸调光开关 >开关/可调亮度 >产品型号:WDLG4005 Wireless touch sensor switch >Long press can adjust brightness >Item No.WDLG4005
无线4通道触摸调光面板 >可控制四组灯带、调节灯带亮度 >产品型号:WDLG4008 Wireless dimmer touch pad(4 channels) >Can control 4 group light,long press can adjust brightness >Item No.WDLG4008	嵌装触摸调节开关 >嵌入安装,触摸可调光 >产品型号:WDLG4004 Touch dimmer sensor switch >Recessed design,long press can adjust brightness >Item No.WDLG4004

使用场景 Application



WDLG3001 LED电源
WDLG3001 LED Driver



描述 Description

产品尺寸:120x60x16mm
颜色:黑色/白色
接口数量:6

Dimension:120x60x16mm
Color:Black/White
Interference quantity:6

产品型号 Item	输入电压 Input voltage	PF PF	输出电压 Output voltage	功率 Power	认证 Certification
WDLG3001-12V-24W(CV)-A	200-220V	>0.5	12V	24W	/ AC seat
WDLG3001-12V-24W(CV)-B	200-220V	>0.5	12V	24W	/ Tail card line
WDLG3001-24V-24W(CV)-A	200-220V	>0.9	24V	24W	/ AC seat
WDLG3001-24V-24W(CV)-B	200-220V	>0.9	24V	24W	/ Tail card line
WDLG3001-12V-24W-A	200-220V	>0.9	12V	24W	3C AC seat
WDLG3001-12V-24W-B	200-220V	>0.9	12V	24W	3C Tail card line
WDLG3001-12V-22W-A	100-240V	>0.9	12V	22W	ETL AC seat
WDLG3001-12V-22W-B	100-240V	>0.9	12V	22W	ETL Tail card line
WDLG3001-24V-22W-A	100-240V	>0.9	24V	22W	ETL AC seat
WDLG3001-24V-22W-B	100-240V	>0.9	24V	22W	ETL Tail card line

WDLG3002 LED电源
WDLG3002 LED Driver



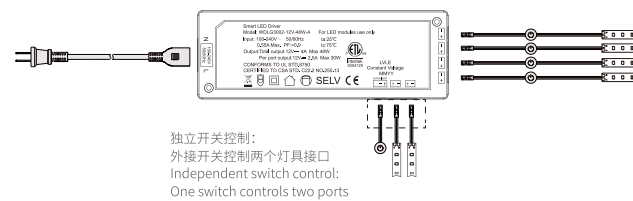
描述 Description

产品尺寸:170x60x16mm
颜色:黑色/白色
接口数量:6

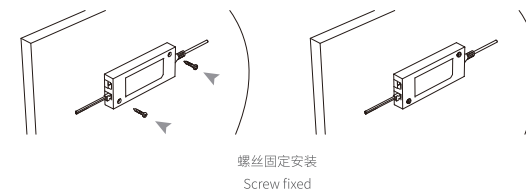
Dimension:170x60x16mm
Color:Black/White
Interference quantity:6

产品型号 Item	输入电压 Input voltage	PF PF	输出电压 Output voltage	功率 Power	认证 Certification
WDLG3002-12V-60W	200-220V	>0.5	12V	60W	/ AC seat
WDLG3002-24V-60W	200-220V	>0.5	24V	60W	/ AC seat
WDLG3002-12V-45W-A	200-220V	>0.9	12V	45W	3C AC seat
WDLG3002-12V-45W-B	200-220V	>0.9	12V	45W	3C Tail card line
WDLG3002-12V-48W-A	100-240V	>0.9	12V	48W	ETL AC seat
WDLG3002-12V-48W-B	100-240V	>0.9	12V	48W	ETL Tail card line
WDLG3002-24V-48W-A	100-240V	>0.9	24V	48W	ETL AC seat
WDLG3002-24V-48W-B	100-240V	>0.9	24V	48W	ETL Tail card line

连接示意图 Connecting



安装示意图 Installation



WDLG3003 LED电源
WDLG3003 LED Driver



描述 Description

产品尺寸:254x60x16mm
颜色:黑色/白色
接口数量:6

Dimension:254x60x16mm
Color:Black/White
Interference quantity:6

产品型号 Item	输入电压 Input voltage	PF PF	输出电压 Output voltage	功率 Power	认证 Certification
WDLG3003-12V-90W	200-220V	>0.5	12V	90W	/ AC seat
WDLG3003-24V-100W	200-220V	>0.5	24V	100W	/ AC seat
WDLG3003-12V-60W-A	100-240V	>0.9	12V	60W	3C/ETL AC seat
WDLG3003-12V-60W-B	100-240V	>0.9	12V	60W	3C/ETL Tail card line
WDLG3003-24V-60W-A	100-240V	>0.9	24V	60W	ETL AC seat
WDLG3003-24V-60W-B	100-240V	>0.9	24V	60W	ETL Tail card line

WDLG3004 LED电源
WDLG3004 LED Driver



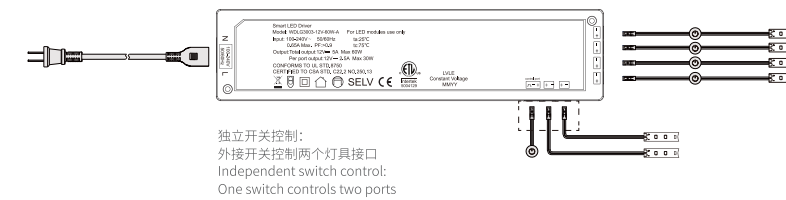
描述 Description

产品尺寸:170x60x16mm
颜色:黑色/白色
接口数量:6

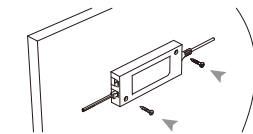
Dimension:170x60x16mm
Color:Black/White
Interference quantity:6

产品型号 Item	输入电压 Input voltage	PF PF	输出电压 Output voltage	功率 Power	认证 Certification
WDLG3004-12V-90W-A	100-240V	>0.95	12V	90W	3C/ETL AC seat
WDLG3004-12V-90W-B	100-240V	>0.55	12V	90W	3C/ETL Tail card line
WDLG3004-24V-100W-A	100-240V	>0.95	24V	100W	3C/ETL AC seat
WDLG3004-24V-100W-B	100-240V	>0.95	24V	100W	3C/ETL Tail card line

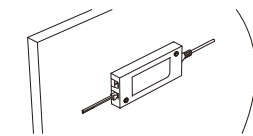
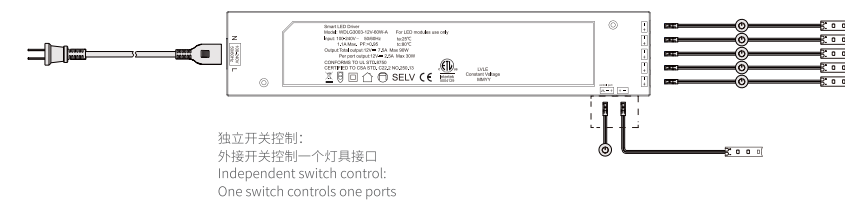
连接示意图 Connecting



安装示意图 Installation



连接示意图 Connecting



WDLG3005 LED电源
WDLG3005 LED Drive



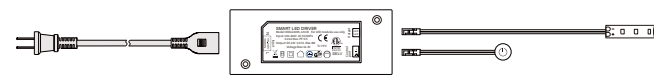
描述 Description

产品尺寸:111x44.5x15mm
颜色:黑色/白色
接口数量:1

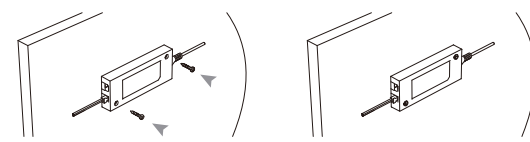
Product size:111x44.5x15mm
Color: Black/ White
Interference quantity:1

产品型号 Item	输入电压 Input voltage	PF PF	输出电压 Output voltage	功率 Power	认证 Certification
WDLG3005-12V-8W	100-240V	>0.5	12V	8W	ETL/CE/3C AC seat
WDLG3005-24V-8W	100-240V	>0.5	24V	8W	ETL/CE/3C AC seat

连接示意图 Connecting



安装示意图 Installation



螺丝固定安装
Screw fixed

WDLG3009 LED电源
WDLG3009 LED Drive



描述 Description

产品尺寸:111x44.5x15mm
颜色:黑色/白色
接口数量:1

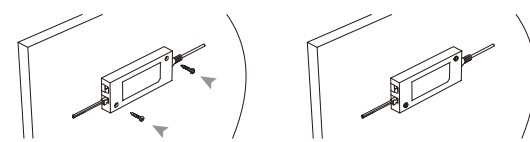
Product size:111x44.5x15mm
Color: Black/ White
Interference quantity:1

产品型号 Item	输入电压 Input voltage	PF PF	输出电压 Output voltage	功率 Power	认证 Certification
WDLG3009-12V-20W	200-220V	>0.5	12V	20W	/ AC seat
WDLG3009-24V-20W	200-220V	>0.5	24V	20W	/ AC seat

连接示意图 Connecting



安装示意图 Installation



螺丝固定安装
Screw fixed



WDLG3011 LED电源
WDLG3011 LED Drive



描述 Description

产品尺寸:149x44.5x15mm
颜色:黑色/白色
接口数量:2

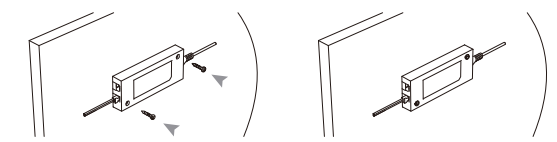
Dimension:149x44.5x15mm
Color:Black/White
Interference quantity:2

产品型号 Item	输入电压 Input voltage	PF PF	输出电压 Output voltage	功率 Power	认证 Certification
WDLG3011-12V-36W	200-220V	>0.5	12V	36W	/ AC seat
WDLG3011-24V-36W	200-220V	>0.5	24V	36W	/ AC seat

连接示意图 Connecting



安装示意图 Installation



螺丝固定安装
Screw fixed

WDLG3012 LED电源
WDLG3012 LED Drive



描述 Description

产品尺寸:308x60x16mm
颜色:黑色/白色
接口数量:5

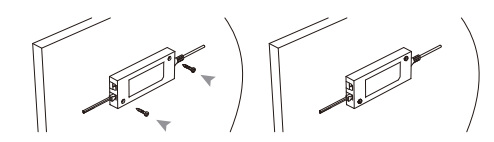
Dimension:308x60x16mm
Color:Black/White
Interference quantity:5

产品型号 Item	输入电压 Input voltage	PF PF	输出电压 Output voltage	功率 Power	认证 Certification
WDLG3012-12V-60W	100-240V	>0.5	12V	60W	3C/CE/ETL/UL AC seat
WDLG3012-24V-60W	100-240V	>0.9	24V	60W	3C/CE/ETL/UL AC seat

连接示意图 Connecting



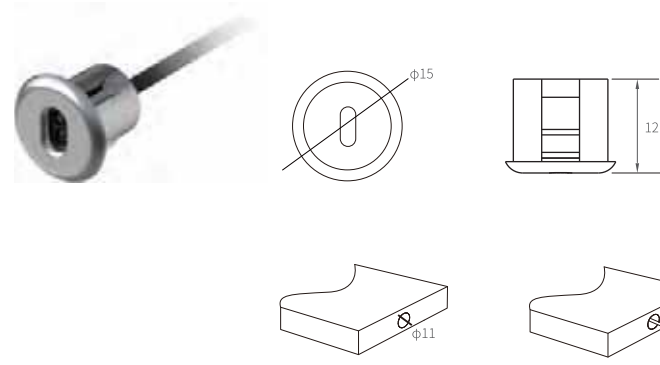
安装示意图 Installation



螺丝固定安装
Screw fixed



WDLG4001 门感应开关
WDLG4001 Door sensor switch



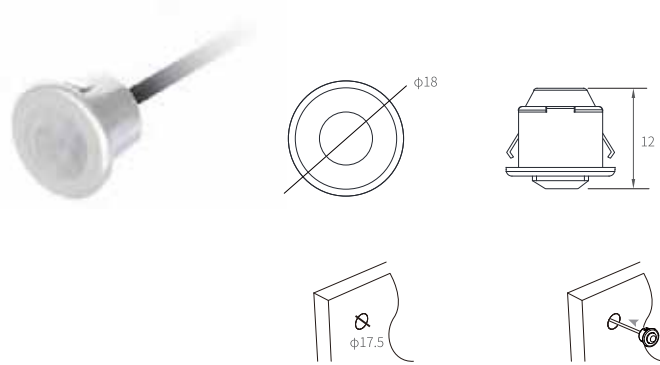
描述 Description

产品尺寸:φ15*12mm
功率:12V-60W/24V-120W
电流:最大5A
感应距离:30-80mm
颜色:银色/黑色
感应头数量:1
待机功耗:0.2W
安装方式:嵌装

Dimension: φ15*12mm
Power: 12V-60W/24V-120W
Current loading: Max 5A
Sensing distance: 30-80mm
Color: Silver/Black
Sensing head: 1
Standby power: 0.2W
Installation: Recessed mounted

安装示意图
Installation

WDLG4002 人体感应开关
WDLG4002 PIR sensor switch



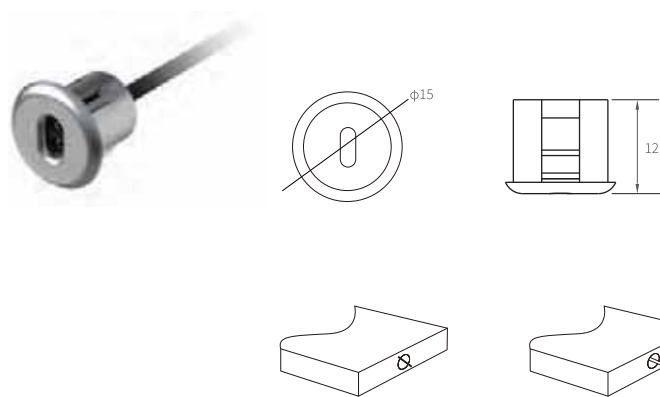
描述 Description

产品尺寸:φ18*12mm
功率:12V-60W/24V-120W
电流:最大5A
感应距离:3000mm
颜色:银色/黑色
感应头数量:1
待机功耗:0.01W
安装方式:嵌装

Dimension: φ18*12mm
Power: 12V-60W/24V-120W
Current loading: Max 5A
Sensing distance: 3000mm
Color: Silver/Black
Sensing head: 1
Standby power: 0.01W
Installation: Recessed mounted

安装示意图
Installation

WDLG4003 手扫感应开关
WDLG4003 Hand wave sensor switch



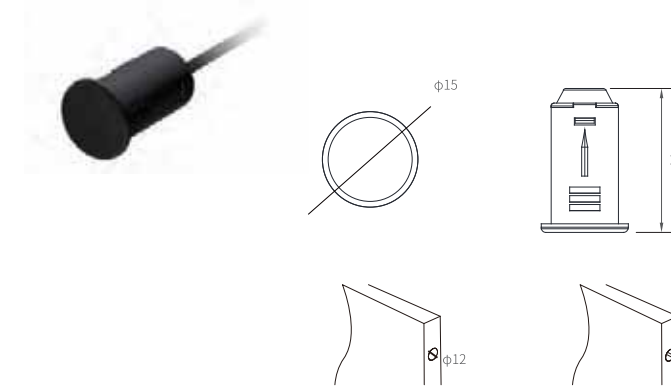
描述 Description

产品尺寸:φ15*12mm
功率:12V-60W/24V-120W
电流:最大5A
感应距离:30-100mm
颜色:银色/黑色
感应头数量:1
待机功耗:0.2W
安装方式:嵌装

Dimension: φ15*12mm
Power: 12V-60W/24V-120W
Current loading: Max 5A
Sensing distance: 30-100mm
Color: Silver/Black
Sensing head: 1
Standby power: 0.2W
Installation: Recessed mounted

安装示意图
Installation

WDLG4004 触摸调光开关
WDLG4004 Touch dimmer sensor switch



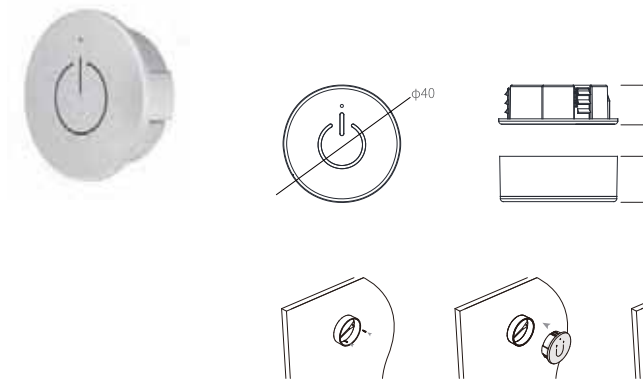
描述 Description

产品尺寸:φ15*25mm
功率:12V-30W/24V-60W
电流:最大3A
调光方式:触摸调光
颜色:银色/黑色
感应头数量:1
待机功耗:0.01W
安装方式:嵌装

Dimension: φ15*25mm
Power: 12V-30W/24V-60W
Current loading: Max 3A
Sensing modes: Multiple control modes
Color: Silver/Black
Sensing head: 1
Standby power: 0.01W
Installation: Recessed mounted

安装示意图
Installation

WDLG4005 无线触摸感应开关
WDLG4005 Wireless touch sensor switch



描述 Description

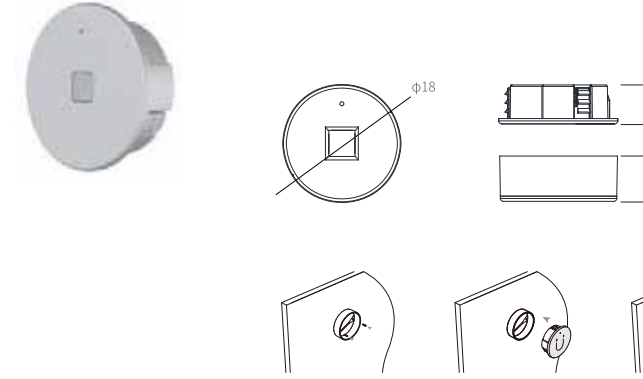
产品尺寸:φ40*16mm
功电:CR3032电池
电压:3V
控制电源数量:可控制
256个电源
颜色:银色/黑色/白色
电池工作时间:12-24个月
安装方式:表装/嵌装

Dimension: φ40*16mm
Power supply: CR3032 battery
Working voltage: 3V
Control numbers: 256 power supplies
Color: Silver/Black/White
Battery working time: 12-24 months
Installation: Surface or recessed mounted

安装示意图(表装)
Installation(Surface mounted)

安装示意图(嵌装)
Installation(Recessed mounted)

WDLG4006 无线人体感应开关
WDLG4006 Wireless PIR sensor switch



描述 Description

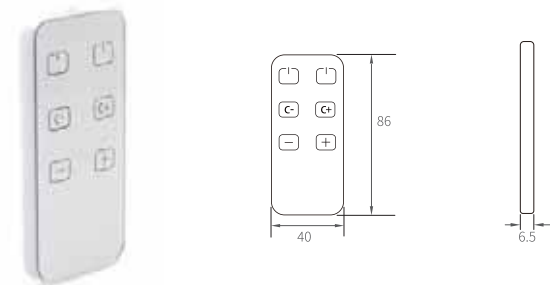
产品尺寸:φ40*16mm
功电:CR3032电池
电压:3V
控制电源数量:可控制
256个电源
颜色:银色/黑色/白色
电池工作时间:12-24个月
安装方式:表装/嵌装

Dimension: φ40*16mm
Power supply: CR3032 battery
Working voltage: 3V
Control numbers: 256 power supplies
Color: Silver/Black/White
Battery working time: 12-24 months
Installation: Surface or recessed mounted

安装示意图(表装)
Installation(Surface mounted)

安装示意图(嵌装)
Installation(Recessed mounted)

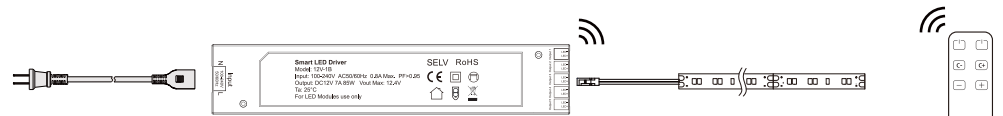
WDLG4007 无线调光调色温触摸面板
WDLG4007 Wireless dual-CCT dimmer touch pad(2 channels)



描述 Description

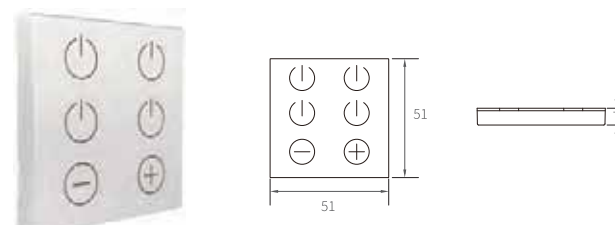
产品尺寸:86*40*6.5mm
 功率:CR2025电池
 电压:3V
 控制电源数量:2路 每路可连接多个接收器或者无线电源
 颜色:黑色/白色
 电池工作时间:9-18个月
 安装方式:表装

Dimension: 86*40*6.5mm
 Power supply: CR2025 battery
 Working voltage: 3V
 Control numbers: 2 channels every channel can link with multi wireless receiver/driver
 Color: Black/White
 Battery working time: 9-18 months
 Installation: Surface mounted



安装示意图 Installation

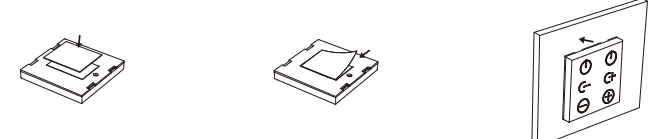
WDLG4008 无线4通道调光触摸面板
WDLG4008 Wireless dimmer touch pad(4 channels)



描述 Description

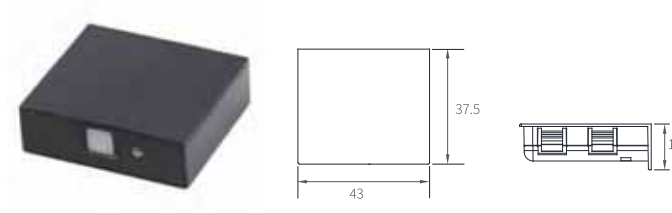
产品尺寸:51*51*7mm
 功率:CR3032电池
 电压:3V
 控制电源数量:4路 每路可连接多个接收器或者无线电源
 颜色:银色/黑色/白色
 电池工作时间:12-24个月
 安装方式:表装

Dimension: 51*51*7mm
 Power supply: CR3032 battery
 Working voltage: 3V
 Control numbers: 4 channels every channel can link with multi wireless receiver/driver
 Color: Silver/Black/White
 Battery working time: 12-24 months
 Installation: Surface mounted



安装示意图(双面胶固定) Installation(Double sided tape fixed)

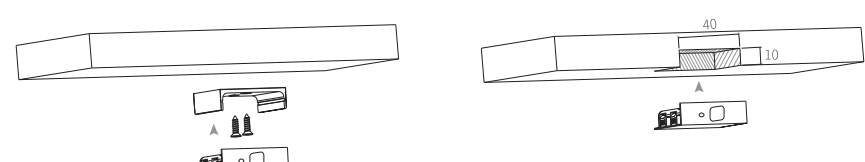
WDLG4009 无线人体感应开关
WDLG4009 Wireless PIR sensor switch



描述 Description

产品尺寸:43*37.5*13mm
 电压:DC5V
 充电接口:Type-C
 感应距离:2000mm
 颜色:黑色
 感应头数量:1
 安装方式:表装/嵌装

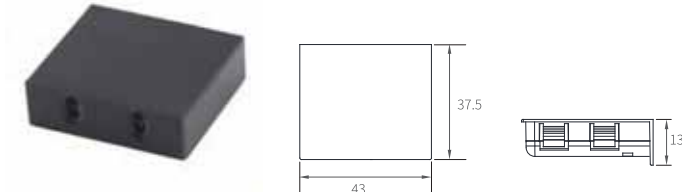
Dimension: 43*37.5*13mm
 Voltage: DC5V
 Charging port: Type-C
 Sensing distance: 2000mm
 Color: Black
 Sensing head: 1
 Installation: Surface or recessed mounted



安装示意图(表装) Installation(Surface mounted)

安装示意图(嵌装) Installation(Recessed mounted)

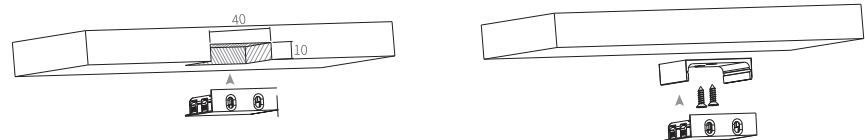
WDLG4010 无线双门感应开关
WDLG4010 Wireless double door sensor switch



描述 Description

产品尺寸:43*37.5*13mm
 电压:DC5V
 充电接口:Type-C
 感应距离:20-50mm
 颜色:黑色
 感应头数量:2
 防护等级:IP20
 安装方式:表装/嵌装

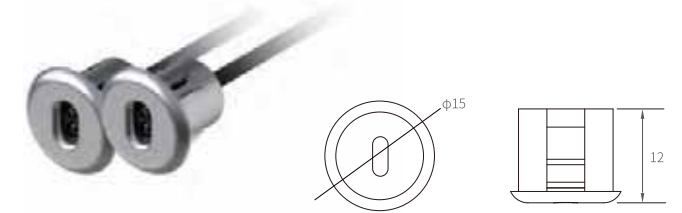
Dimension: 43*37.5*13mm
 Voltage: DC5V
 Charging port: Type-C
 Sensing distance: 20-50mm
 Color: Black
 Sensing head: 2
 Degree of protection: IP20
 Installation: Surface or recessed mounted



安装示意图(表装) Installation(Surface mounted)

安装示意图(嵌装) Installation(Recessed mounted)

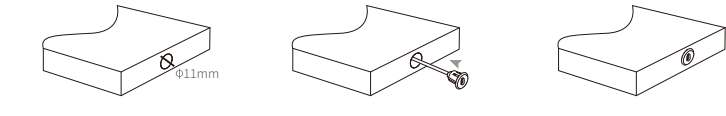
WDLG4011 双门感应开关
WDLG4011 Double Door Sensor Switch



描述 Description

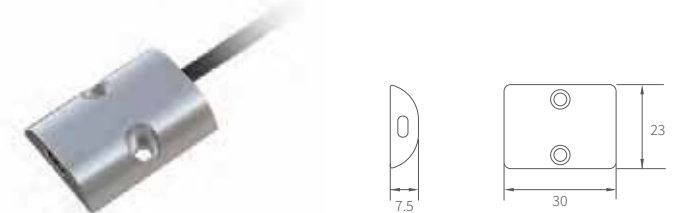
产品尺寸:Φ15*12mm
 功率:12V-60W/24V-120W
 电流:最大5A
 感应距离:30-80mm
 颜色:银色/黑色
 感应头数量:2
 待机功耗:0.2W
 安装方式:嵌装

Dimension: Φ15*12mm
 Power: 12V-60W/24V-120W
 Current loading: Max 5A
 Sensing distance: 30-80mm
 Color: Silver/black
 Sensing head: 2
 Standby power: 0.2W
 Installation: Recessed mounted



安装示意图(嵌装) Installation(Recessed mounted)

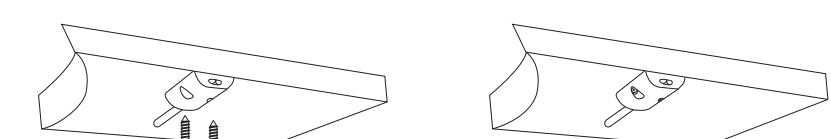
WDLG4013 单门感应开关
WDLG4013 Single Door Sensor Switch



描述 Description

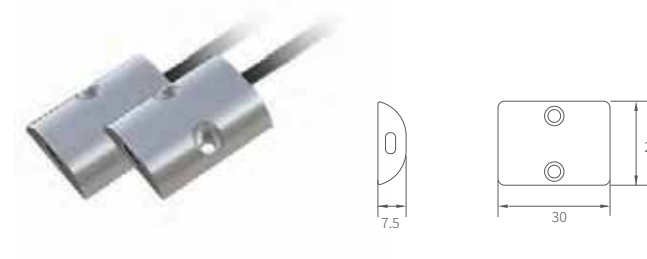
产品尺寸:30*23*7.5mm
 功率:12V-60W/24V-120W
 电流:最大5A
 感应距离:30-80mm
 颜色:银色/黑色
 感应头数量:1
 待机功耗:0.2W
 安装方式:表装

Dimension: 30*23*7.5mm
 Power: 12V-60W/24V-120W
 Current loading: Max 5A
 Sensing distance: 30-80mm
 Color: Silver/black
 Sensing head: 1
 Standby power: 0.2W
 Installation: Surface mounted



安装示意图(表装) Installation(Surface mounted)

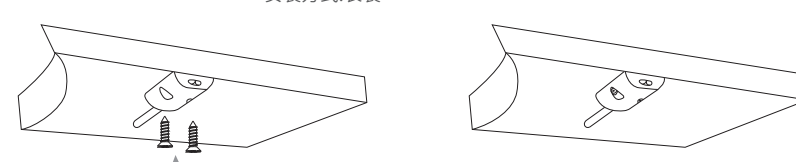
WDLG4014 双门感应开关
WDLG4014 Double Door Sensor Switch



描述 Description

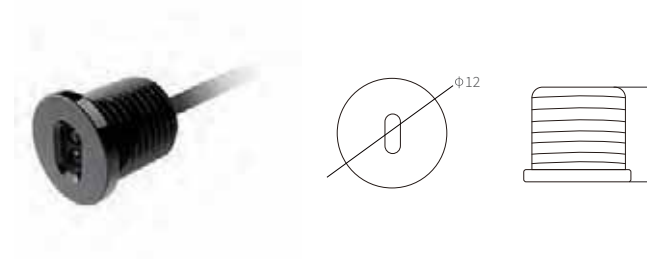
产品尺寸:30*23*7.5mm
功率:12V-60W/24V-120W
电流:最大5A
感应距离:30-80mm
颜色:银色/黑色
感应头数量:2
待机功耗:0.2W
安装方式:表装

Dimension:30*23*7.5mm
Power:12V-60W/24V-120W
Current loading: Max 5A
Sensing distance: 30-80mm
Color: Silver/black
Sensinghead: 2
Standby power: 0.2W
Installation:Surface mounted



安装示意图(表装)
Installation(Surface mounted)

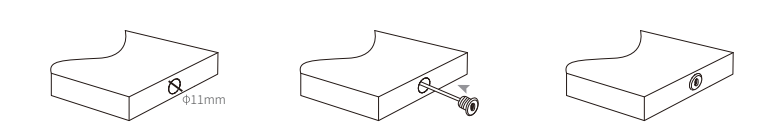
WDLG4016 单门感应开关
WDLG4016 Single Door Sensor Switch



描述 Description

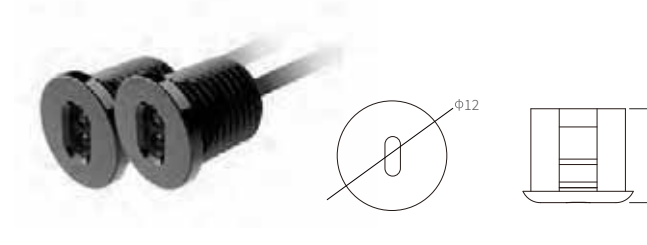
产品尺寸:Φ12*12mm
功率:12V-30W/24V-60W
电流:最大3A
感应距离:30-80mm
颜色:银色/黑色
感应头数量:1
待机功耗:0.2W
安装方式:嵌装

Dimension:Φ12*12mm
Power:12V-30W/24V-60W
Current loading: Max 3A
Sensing distance: 30-80mm
Color: Silver/black
Sensing head: 1
Standby power: 0.2W
Installation: Recessed mounted



安装示意图(嵌装)
Installation(Recessed mounted)

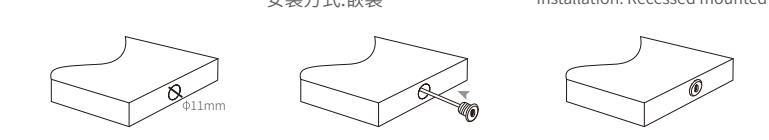
WDLG4017 双门感应开关
WDLG4017 Double Door Sensor Switch



描述 Description

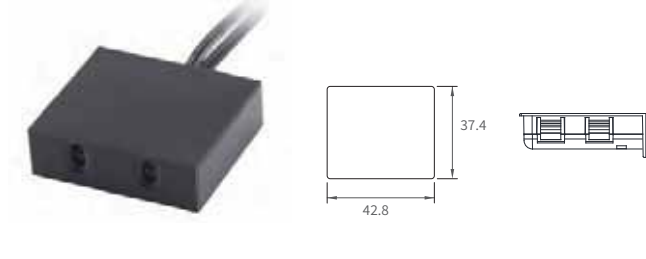
产品尺寸:Φ12*12mm
功率:12V-30W/24V-60W
电流:最大3A
感应距离:30-80mm
颜色:银色/黑色
感应头数量:2
待机功耗:0.2W
安装方式:嵌装

Dimension:Φ12*12mm
Power:12V-30W/24V-60W
Current loading: Max 3A
Sensing distance: 30-80mm
Color: Silver/black
Sensing head: 2
Standby power: 0.2W
Installation: Recessed mounted



安装示意图(嵌装)
Installation(Recessed mounted)

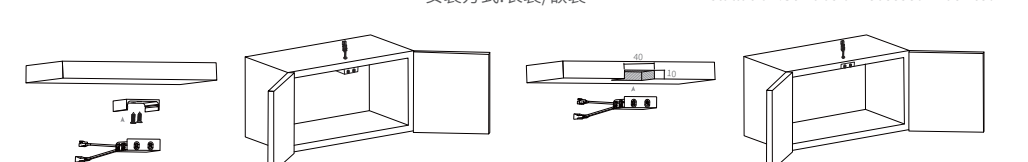
WDLG4018 双门感应开关
WDLG4018 Double Door Sensor Switch



描述 Description

产品尺寸:42.8*37.4*13mm
功率:12V-60W/24V-120W
电流:最大5A
感应距离:2-60mm
颜色:黑色
感应头数量:2
防护等级:IP20
安装方式:表装/嵌装


Dimension:42.8*37.4*13mm
Power:12V-60W/24V-120W
Current loading: Max 5A
Sensing distance: 2-60mm
Color: black
Sensinghead: 2
Degree of protection: IP20
Installation:Surface or recessed mounted



安装示意图(表装)
Installation(Surface mounted)

安装示意图(嵌装)
Installation(Recessed mounted)

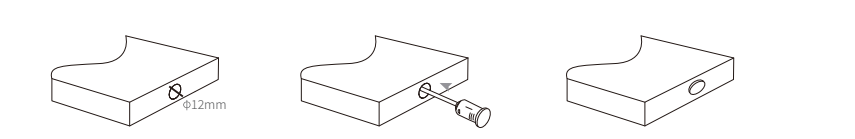
WDLG4028 双触式调光开关
WDLG4028 Double Touch dimmer switch



描述 Description

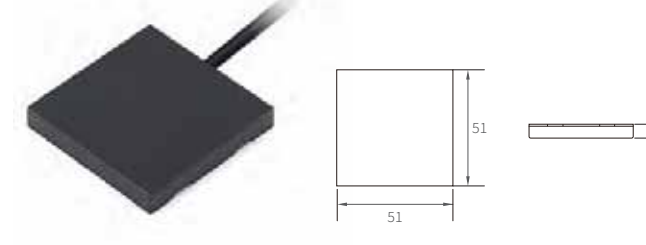
产品尺寸:Φ15*25mm
功率:12V-30W/24V-60W
电流:最大3A
感应模式:多种控制模式
颜色:黑色/白色
感应头数量:2
待机功耗:0.01W
安装方式:嵌装

Dimension:Φ15*25mm
Power:12V-30W/24V-60W
Current loading: Max 3A
Sensing modes: Multiple control modes
Color: Black/white
Sensing head: 2
Standby power: 0.01W
Installation: Recessed mounted



安装示意图(嵌装)
Installation(Recessed mounted)

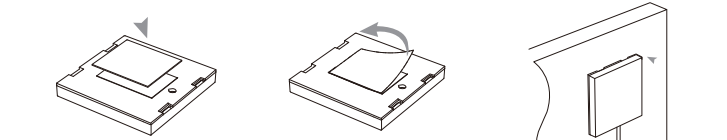
WDLG4031 垫片触摸传感器开关
WDLG4031 Spacer touch sensor switch



描述 Description

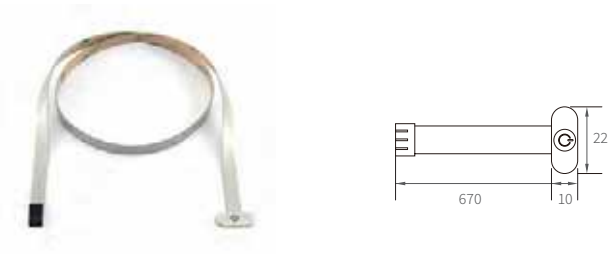
产品尺寸:51*51*7mm
功率:12V-60W/24V-120W
电流:最大5A
颜色:银色/黑色
感应距离:<25mm
安装方式:表装

Dimension:51*51*7mm
Power:12V-60W/24V-120W
Current loading: Max 5A
Color: Silver/black
Sensing distance:<25mm
Installation: Surface mounted



安装示意图(表装)
Installation(Surface mounted)

WDLG4033 薄膜按钮开关
WDLG4033 Membrane button switch



描述 Description

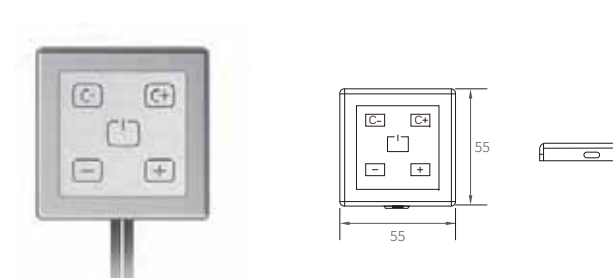
产品尺寸:22*10*0.5mm
功率:12V-60W/24V-120W
电流:最大5A
颜色:棕色/银色
感应头数量:1
防护等级:IP20
安装方式:表装

Dimension: 22*10*0.5mm
Power: 12V-60W/24V-120W
Current loading: Max5A
Color: Brown/Silver
Sensing head: 1
Degree of protection: IP20
Installation: Surface mounted

双面胶固定
Double sided tape fixed

安装示意图
Installation

WDLG4039 触摸调光开关
WDLG4039 Touch dimmer sensor switch



描述 Description

产品尺寸:55*55*7.5mm
功率:12V-30W/24V-60W
电流:最大3A
颜色:银色/黑色
感应头数量:1
待机功耗:0.01W
安装方式:表装


Dimension: 55*55*7.5mm
Power: 12V-30W/24V-60W
Current loading: Max 3A
Color: Silver/black
Sensing head: 1
Standby power: 0.01W
Installation: Surface mounted

双面胶固定
Double sided tape fixed

螺丝固定
Screw fixed

安装示意图
Installation

WDLG5001 无线接收器
WDLG5001 Wireless receivers



描述 Description

产品尺寸:86*15*8mm
输入电源:12-24V DC
功率:12V-60W/24V-120W
应用:无线调光

Dimension: 86*15*8mm
Input voltage: 12-24V DC
Power: 12V-60W/24V-120W
Application: Wifi dimmer adjust

应用示意图
Instructions

12V/24V电源
Any 12V/24V Drivers

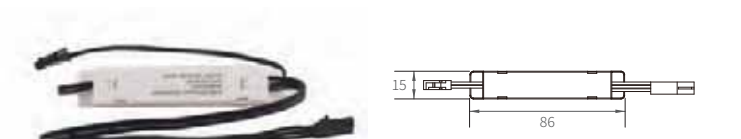
WDLG5001

WDLG4005 WDLG4006 WDLG4008

无线开关
Wireless dimmer sensor switches

WDLG5002 无线接收器
WDLG5002 Wireless receivers

Double-color light



描述 Description

产品尺寸:86*15*8mm
输入电源:12-24V DC
功率:12V-60W/24V-120W
应用:无线调光(3-pin线)

Dimension: 86*15*8mm
Input voltage: 12-24V DC
Power: 12V-60W/24V-120W
Application: Wifi CCT adjust(3-pin)

应用示意图
Instructions

12V/24V电源
Any 12V/24V Drivers


WDLG5002

双色温灯具
Double-color light

无线调光调光开关
Wireless dual-CCT dimmer sensor switches

WDLG5004 无线接收器
WDLG5004 Wireless receiver

Double-color light



描述 Description

产品尺寸:55*38*10mm
输入:DC12V/24V
电流:每个端口最大3A
接口数量:6

Dimension: 55*38*10mm
Input: DC12V/24V
Current loading: Max 3A per port
Interface quantity: 6

应用示意图
Instructions

12V/24V电源
Any 12V/24V Drivers


WDLG5004

WDLG4035 WDLG4007

无线调光调光开关
Wireless dual-CCT dimmer sensor switches

WDLG8003 无线接收器
WDLG8003 Wireless receiver

Double-color light



描述 Description

产品尺寸:55*38*10mm
输入:DC12V/24V
电流:每个端口最大1A
接口数量:4

Dimension: 55*38*10mm
Input: DC12V/24V
Loading current: Max 1A per port
Interface quantity: 4

应用示意图
Instructions

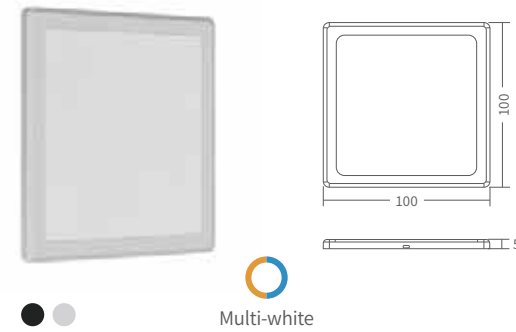
12V/24V电源
Any 12V/24V Drivers

WDLG8003

WDLG4035 WDLG4007

无线调光调光开关
Wireless dual-CCT dimmer sensor switches

WDLG6001 迷你面板灯
WDLG6001 Mini panel light



描述 Description

尺寸:100*100*5mm
功率:3W
电压:DC12V
颜色:黑色/银色
显色:>80
流明:324Lm
安装:表装

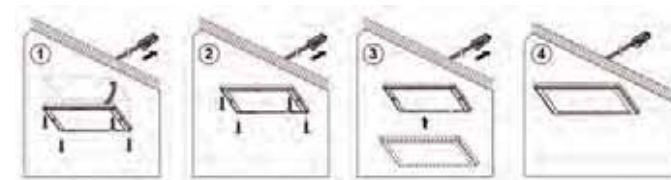
Dimension:100*100*5mm
Power:3W
Voltage: DC12V
Color: Black/ Silver
CRI:>80
Lumen:324Lm
Installation: Surface mounted

产品特点 Features

- 1.超薄设计,外观精致
- 2.高品质的LED灯使光线更加均匀
- 3.易于安装,隐形螺丝设计

- 1.Ultra-thin design and delicate appearance
- 2.The light is homogeneous and the points of the LED light are not visible
- 3.Easy installation, invisible screws design

安装示意图 Installation



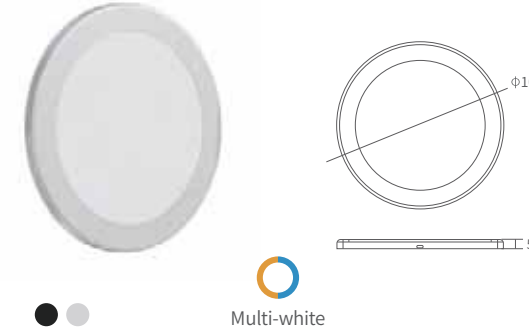
应用场景 Application



氛围照明,适用于展示柜、橱柜、衣柜、酒柜等
Ambient illumination. For display cabinet, kitchen cabinet, wardrobe, wine cabinet, etc.



WDLG6002 迷你面板灯
WDLG6002 Mini panel light



描述 Description

尺寸:φ100*5mm
功率:3W
电压:DC12V
颜色:黑色/银色
显色:>80
流明:420Lm
安装:表装

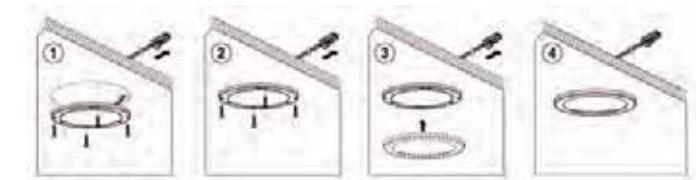
Dimension:φ100*5mm
Power:3W
Voltage: DC12V
Color: Black / Silver
CRI:>80
Lumen:420Lm
Installation: Surface mounted

产品特点 Features

- 1.超薄设计,外观精致
- 2.高品质的LED灯使光线更加均匀
- 3.易于安装,隐形螺丝设计

- 1.Ultra-thin design and delicate appearance
- 2.The light is homogeneous and the points of the LED light are not visible
- 3.Easy installation, invisible screws design

安装示意图 Installation



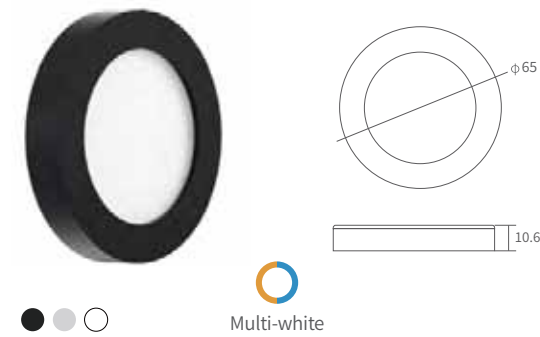
应用场景 Application



氛围照明,适用于展示柜、橱柜、衣柜、酒柜等
Ambient illumination. For display cabinet, kitchen cabinet, wardrobe, wine cabinet, etc.



WDLG6003 迷你面板灯
WDLG6003 Mini panel light



描述 Description

尺寸:φ65*10mm
功率:1.8W
电压:DC12V
颜色:黑色/白色/银色
显色:>80
流明:152Lm
安装:表装/嵌装

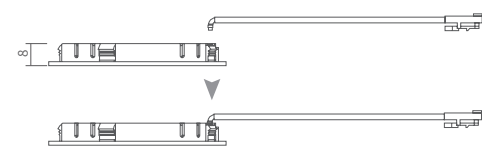
Dimension:φ65*10mm
Power:1.8W
Voltage: DC12V
Color: Black/ White/ Silver
CRI:>80
Lumen:152Lm
Installation: Surface or recessed mounted

产品特点 Features

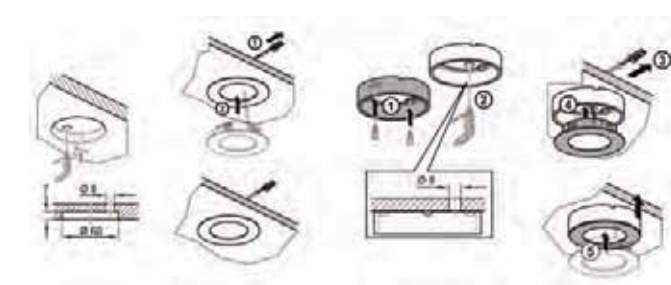
- 1.超薄设计,外观精致
- 2.高品质的LED灯使光线更加均匀
- 3.光线分离,易于更换和维修

- 1.Ultra-thin design and delicate appearance
- 2.The light is homogeneous and the points of the LED light are not visible
- 3.Light wire separation, easy to replace and repair

连接示意图 Connection Picture



安装示意图 Installation



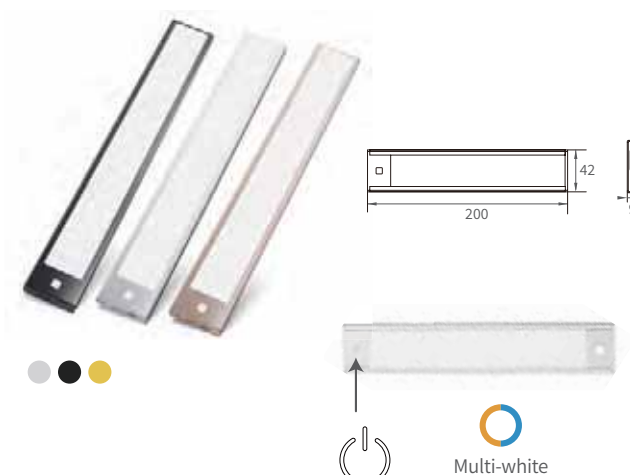
应用场景 Application



氛围照明,适用于展示柜、橱柜、衣柜、酒柜等
Ambient illumination. For display cabinet, kitchen cabinet, wardrobe, wine cabinet, etc.



WDLG6501 带PIR传感器的LED电池灯
WDLG6501 LED Battery light with PIR sensor



描述 Description

产品尺寸:200*42*9mm
功率:1W
输入:DC5V
颜色:银色/黑色/金色
LED数量:30
显色指数:>80
流明:100Lm
安装方式:磁吸安装

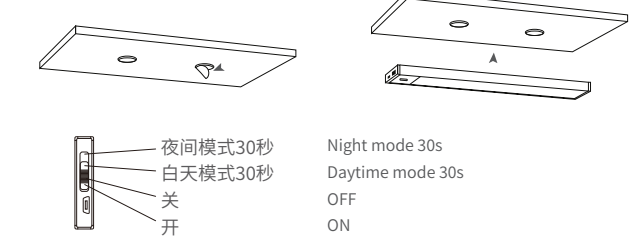
Dimension:200*42*9mm
Power:1W
Input: DC5V
Color: Silver/black/gold
LED:30 LEDs
CRI:>80
Lumen:100Lm
Installation:Magneticsuction installation

产品特点 Features

- 1.磁吸安装
- 2.内置可充电电池
- 3.线缆:15cm Type-C 充电口

- 1.Magnetic suction installation.
- 2.With rechargeable battery inside.
- 3.Cable:15cm Type-C charging cable

安装示意图 Installation



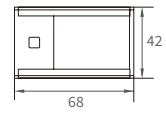
应用场景 Application



适用于衣柜、抽屉、客厅、洗手间或用作PIR传感器夜灯
For wardrobe, drawers, living room, wash room used as a PIR sensor night light



WDLG6502 带PIR传感器的LED电池灯
WDLG6502 LED Battery light with PIR sensor



描述 Description

产品尺寸:68*42*9mm
功率:0.2W
输入:DC5V
颜色:银色/黑色
LED数量:7
显色指数:>80
流明:15Lm
电池容量:350mAh
安装方式:磁吸安装

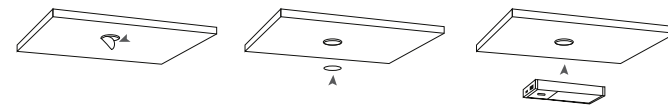
Dimension:68*42*9mm
Power:0.2W
Input:DC5V
Color: Silver/black
LED:7 LEDS
CRI:>80
Lumen:15Lm
Battery capacity: 350mAh
Installation:Magneticsuction installation

产品特点 Features

- 1.磁吸安装
- 2.内置可充电电池
- 3.线缆:15cm Type-C 充电口

- 1.Magnetic suction installation.
- 2.With rechargeable battery inside.
- 3.Cable:15cm Type-C charging cable

安装示意图 Installation



- | | |
|---------|------------------|
| 夜间模式30秒 | Night mode 30s |
| 白天模式30秒 | Daytime mode 30s |
| 关 | OFF |
| 开 | ON |

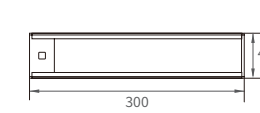
应用场景 Application



适用于衣柜、抽屉、客厅、洗手间或用作 PIR 传感器夜灯
For wardrobe, drawers, living room, wash room used as a PIR sensor night light



WDLG6503 带PIR传感器的LED电池灯
WDLG6503 LED Battery light with PIR sensor



描述 Description

产品尺寸:300*42*9mm
功率:1.5W
输入:DC5V
颜色:银色/黑色
LED数量:48
显色指数:>80
流明:100Lm
电池容量:2000mAh
安装方式:磁吸安装

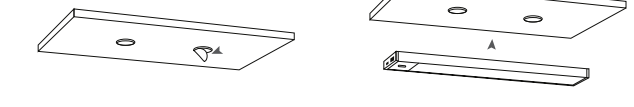
Dimension:300*42*9mm
Power:1.5W
Input:DC5V
Color: Silver/black
LED:48 LEDS
CRI:>80
Lumen:100Lm
Battery capacity: 2000mAh
Installation:Magneticsuction installation

产品特点 Features

- 1.磁吸安装
- 2.内置可充电电池
- 3.线缆:15cm Type-C 充电口

- 1.Magnetic suction installation.
- 2.With rechargeable battery inside.
- 3.Cable:15cm Type-C charging cable

安装示意图 Installation



- | | |
|---------|------------------|
| 夜间模式30秒 | Night mode 30s |
| 白天模式30秒 | Daytime mode 30s |
| 关 | OFF |
| 开 | ON |

应用场景 Application



适用于衣柜、抽屉、客厅、洗手间或用作 PIR 传感器夜灯
For wardrobe, drawers, living room, wash room used as a PIR sensor night light



WDLG8002 杜邦线
WDLG8002 Dupont line



描述 Description

长度:0.5m/1m/2m Length: 0.5m/1m/2m
应用:适用于各类12V灯具 Applications: suitable for all the 12V lights
承受电流:最大3A Loading current: 3A(Max)

WDLG8001 3孔分线盒
WDLG8001 Distributors for 3 ports



描述 Description

尺寸:34.5*38*10mm Dimension: 34.5*38*10mm
电压:12V/24V Voltage: 12V/24V
单口承受电流:最大3A Loading current: 3A(Max)
接口数量:3 Interface quantity: 3

WDLG8006 10mm SMD 快速连接线
WDLG8006 10mm SMD fast connect cable



描述 Description

电线长度:2m
应用场景:适用于10mm宽的12V/24V的贴片灯带
安装方式:一端连接10mm宽的贴片灯带
Length of cable:2m
Application: suitable for 12V/24V SMD LED strip with 10mm width
Installation: connect one side of 10mm width SMD LED strip

WDLG8007 10mm SMD 快速连接器
WDLG8007 10mm SMD fast Connector Kit



描述 Description

应用场景:适用于10mm宽的12V/24V的贴片灯带
安装方式:连接两条10mm宽的LED贴片灯带
Application: suitable for 12V/24V SMD LED strip with 10mm width
Installation: connect two pieces of 10mm width SMD LED strip

WDLG8008 8mm COB快速连接线
WDLG8008 8mm COB Fast Connector Cable



描述 Description

电线长度:2m
应用:适用于12mm宽的12V/24V COB LED灯带
安装方式:一端连接8mm宽的COB LED灯带
Length of cable:2m
Application: suitable for 12V/24V COB LED strip with 8mm width
Installation: connect one side of 8mm width COB LED strip

WDLG8009 8mm COB无缝连接器
WDLG8009 8mm COB Gapless Connector



描述 Description

应用场景:适用于8mm宽的12V/24V的COB灯带
安装方式:连接两条8mm宽的COB灯带
Application:suitable for 12V/24V COB LED strip with 8mm width
Installation: connect two pieces of 8mm width COB LED strip

WDLG8010 8mm COB L型连接器
WDLG8010 8mm COB L-shaped connector



描述 Description

应用场景:适用于8mm宽的12V/24V的COB灯带
安装方式:连接两条8mm宽的COB灯带
Application:suitable for 12V/24V COB LED strip with 8mm width
Installation: connect two pieces of 8mm width COB LED strip

WDLG8011 5mm COB快速连接线
WDLG8011 5mm COB fast connect cable



描述 Description

电线长度:2m
应用:适用于5mm宽的12V/24V COB LED灯带
安装方式:一端连接5mm宽的COB LED灯带
Length of cable: 2m
Application: suitable for 12V/24V COB LED strip with 5mm width
Installation: connect one side of 5mm width COB LED strip

WDLG8012 5mm COB 无缝连接器
WDLG8012 5mm COB Gapless Connector



描述 Description

应用场景:适用于5mm宽的12V/24V的COB灯带
安装方式:连接两条5mm宽的COB灯带
Application: suitable for 12V/24V COB LED strip with 5mm width
Installation: connect two pieces of 5mm width COB LED strip















WDLG8013 5mm COB L型连接器
WDLG8013 5mm COB L-shaped connector
















描述 Description

应用场景:适用于5mm宽的12V/24V的COB灯带
安装方式:连接两条5mm宽的COB灯带
Application: suitable for 12V/24V COB LED strip with 5mm width
Installation: connect two pieces of 5mm width COB LED strip

Icon Instructions

 Use in door	IP20 Waterproof Rate	 12V DC	 Protection class III	 General combustible surface	 2M symbol
 CE Certification	RoHS RoHS Certification	 ETL Certification	 GS Certification	 3C Certification	 Light Angle
 LED Chips	 PCB Width	 Multi-white	 Color Temperature		

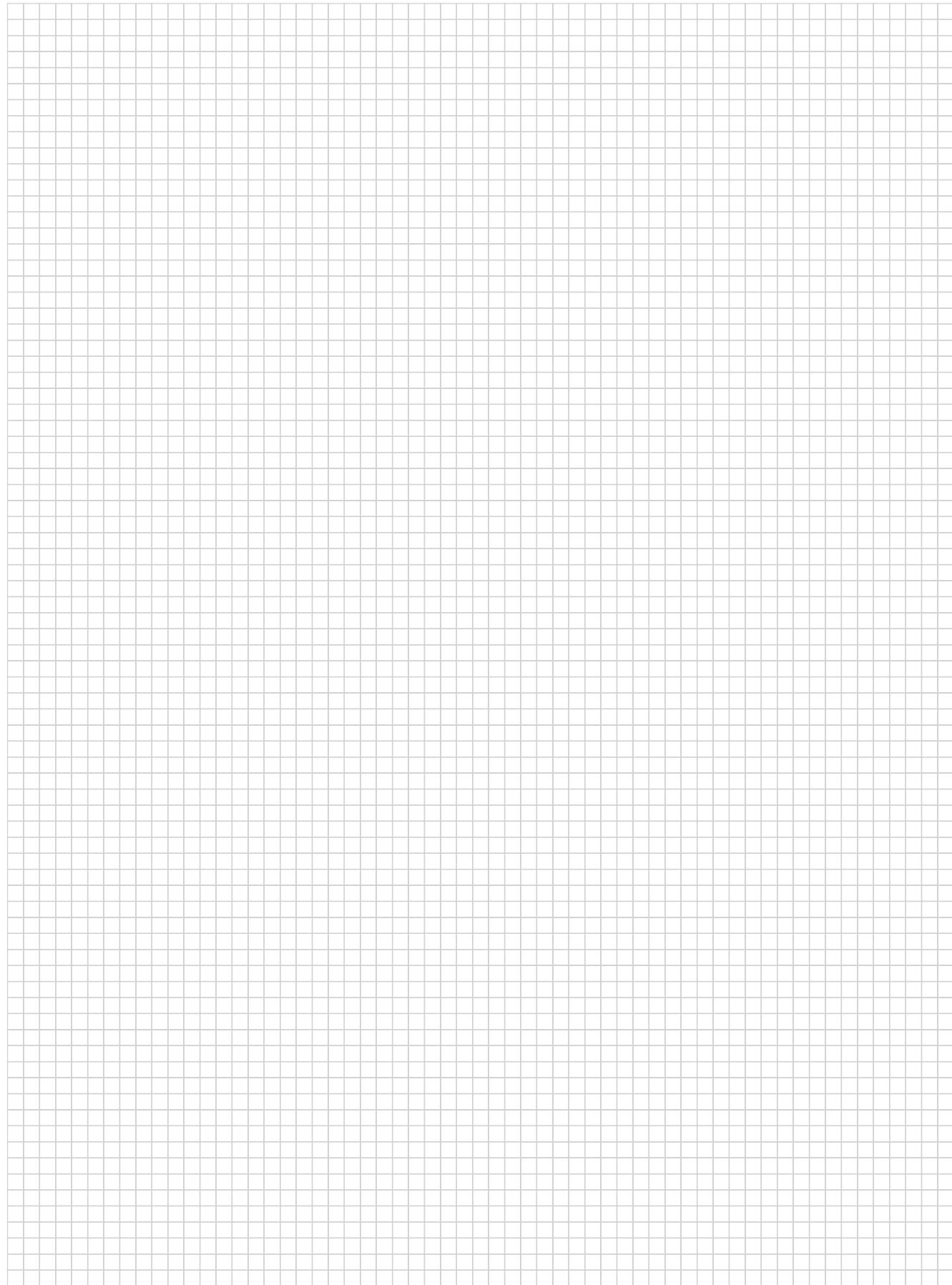
Icon Certification Instructions

 RGB is the abbreviation for red, green and blue. Almost any colour combination can be created from the three primary colours.	 Protection class II
 Multi-white. The colour temperature of the light changes from warm white to cool white.	 Protection class III
 TÜV seal of quality	 Installation permitted on or in furniture, whose ignition properties are unknown.
 Confirmation from manufacturer that the product complies with the product-specific applicable European norms and standards.	 Lights to be used indoors only. Not to be used outdoors!
RoHS Restriction of Hazardous Substances(EU directive 2011/65/EU)	 Waste of Electrical and Electronic Equipment. Do not dispose of in residential waste!
 ETL is the certification required for products exported to the United States and Canada	SELV Safety Extra Low Voltage
 China Compulsory Certification	 Short-circuit proof with safety isolation
 Independent operating unit for use outside of light without additional cover.	

Technical Terms

Illuminance	The illuminance is the luminous flux (lm) in relation to a surface (m ²) and it is indicated in Lux (lx). It is used to measure the brightness with which a surface is illuminated.
Colour temperature	The colour temperature is a specification of the colour appearance of a white light source and is measured in Kelvin (K). The lower the colour temperature, the warmer the light colour; the higher the colour temperature, the cooler the light colour.
Colour rendering index CRI	The colour rendering index is a parameter that can be used to compare the colour rendering quality of light sources at the same colour temperature. The higher the value, the better the colour rendering.
Luminous efficacy	The luminous efficacy is the ratio of the luminous flux and the wattage absorbed. It is used to measure the operating efficiency of the light source. It is indicated in Lumen per Watt (lm/W).
Luminous flux	It is indicated in Lumen (lm). The luminous flux indicates the light output, i.e. the quantity of light a source emits. The value may be subject to measurement and production-related fluctuations of ± 10%. The higher the value, the better the colour rendering.

Note:



Note:

